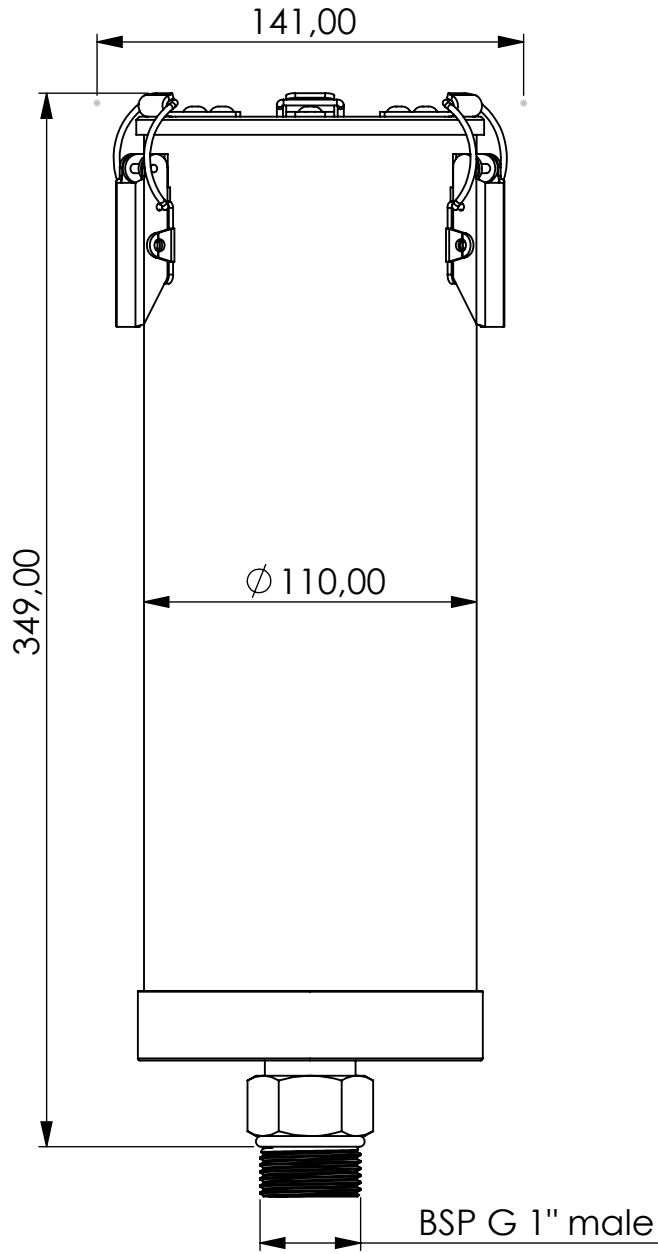


Adsorber VV-R series



Product Code	VV	-	R	-	3L	-	F	-	00	-	P3	-	SA	-	G1a
	Adsorber type		Refillable cartridge		Size		FKM seals		No valves 0 IN 0 OUT		Paper filter 3 micron		Adsorbent Silica Gel Active carbon		Connection for System BSP G1" male

Housing materials:	PA6, PC, AL	
Silica Gel (kg):	1,4	Max. water adsorbtion (ml): 560
Total weight (kg):	2.52	

NAME:		
Adsorber VV-R 3L G1"m		
VV-R_3L_F_00_P3_SA_G1a		
Article no.:	Status freigabe	Format A4
05.0030.19	Maßstab	Blatt / von
	1:2.5	1 / 1

	Date	Name
rev.	01.04.2020	Daniel Zinic



GIEBEL Adsorber®
...setting standards in aeration drying!

GIEBEL FilTec GmbH
www.giebel-adsorber.de
info@giebel-adsorber.de