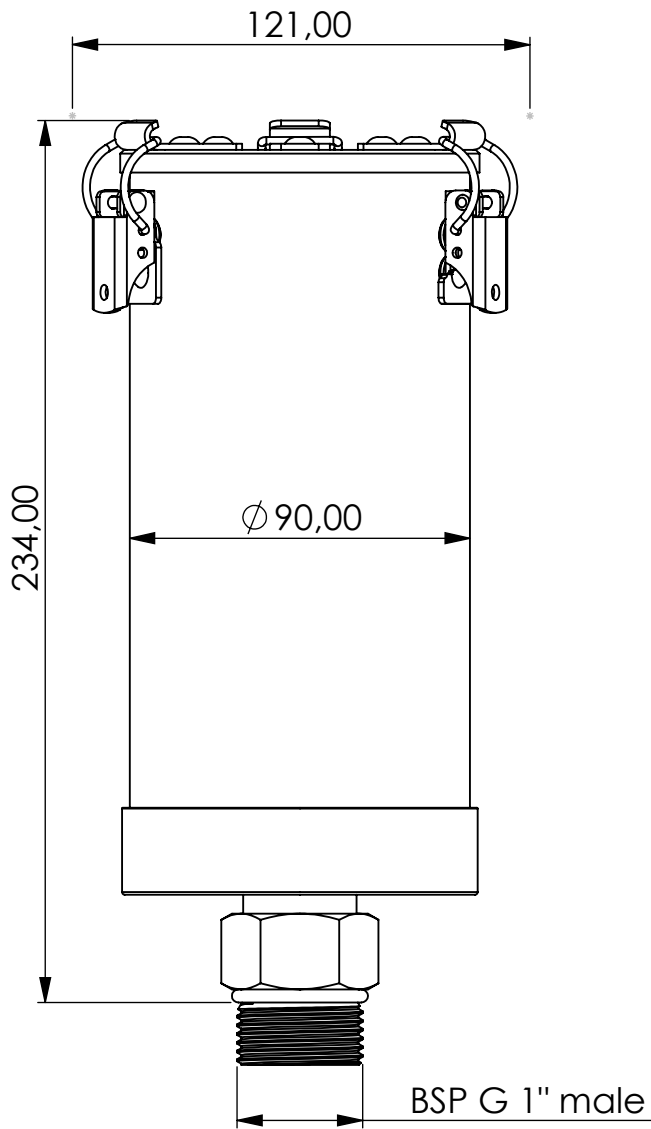


Adsorber VV-R series



Product Code	VV	-	R	-	2L	-	F	-	00	-	P3	-	SA	-	G1a
	Adsorber type		Refillable cartridge		Size		FKM seals		No valves 0 IN 0 OUT		Paper filter 3 micron		Adsorbent Silica Gel Active carbon		Connection for System BSP G1" male

Housing materials:	PA6, PC, AL	
Silica Gel (kg):	0,5	Max. water adsorbtion (ml): 200
Total weight (kg):	1.23	

NAME:		
Adsorber VV-R 2L G1"m		
VV-R_2L_F_00_P3_SA_G1a		
Article no.:	Status	Format
05.0020.78	freigabe	A4
	Maßstab	Blatt / von
	1:2	1 / 1

	Date	Name
rev.	01.04.2020	Daniel Zinic
GIEBEL FilTec GmbH		
www.giebel-adsorber.de		
info@giebel-adsorber.de		



GIEBEL Adsorber®
...setting standards in aeration drying!