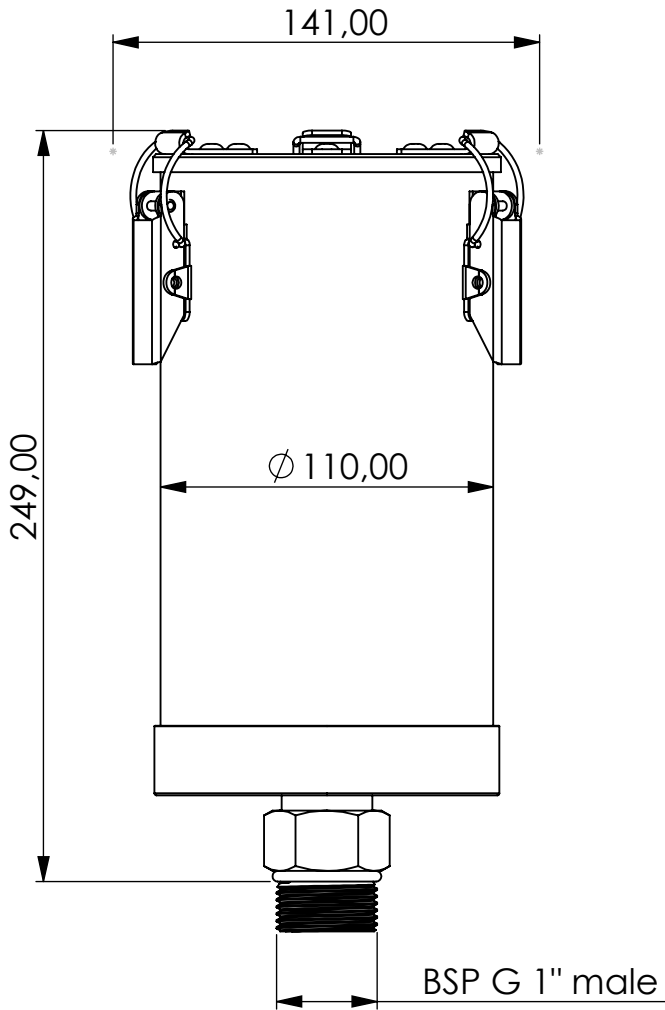


Adsorber VV-R series



Product Code	VV	-	R	-	3M	-	F	-	00	-	P3	-	SA	-	G1a
	Adsorber type		Refillable cartridge		Size		FKM seals		No valves 0 IN 0 OUT		Paper filter 3 micron		Adsorbent Silica Gel Active carbon		Connection for System BSP G1" male

Housing materials:	PA6, PC, AL	
Silica Gel (kg):	0,8	Max. water adsorbtion (ml): 320
Total weight (kg):	1.74	

NAME:		
Adsorber VV-R 3M G1"m		
VV-R_3M_F_00_P3_SA_G1a		
Article no.:	Status freigabe	Format A4
05.0030.53	Maßstab 1:2.5	Blatt / von 1 / 1

	Date	Name
rev.	01.04.2020	Daniel Zinic
 GIEBEL Adsorber® ...setting standards in aeration drying!		
GIEBEL FilTec GmbH www.giebel-adsorber.de info@giebel-adsorber.de		