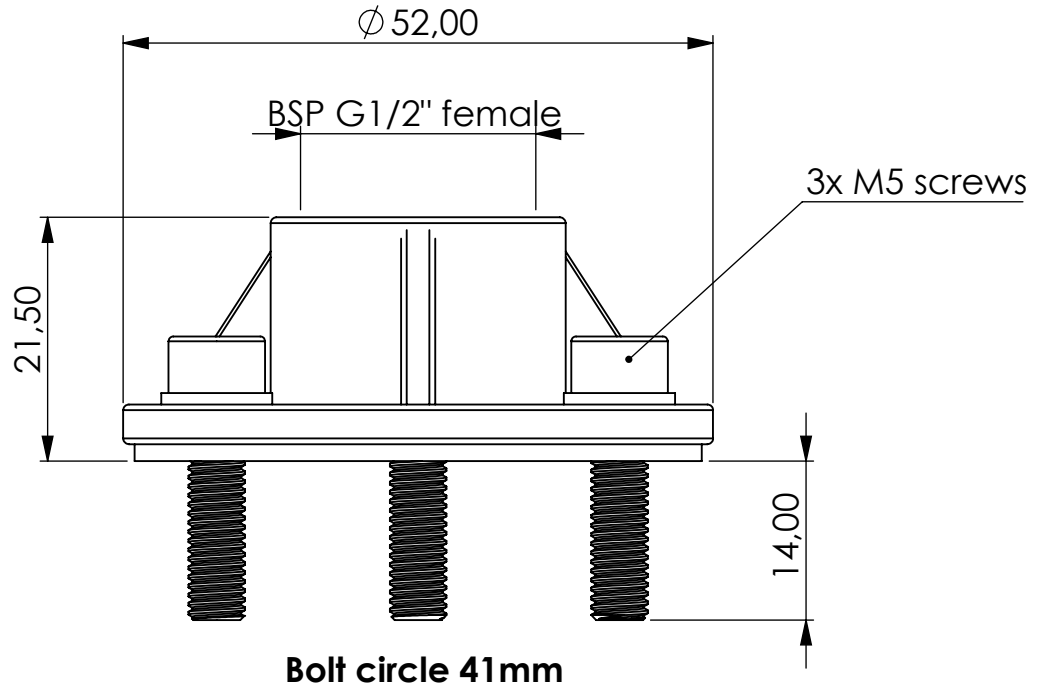
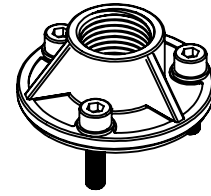


Flange adapter



Product Code	FLA	-	LK41	-	PA	-	N	-	G12i
	Flange adapter		Bolt circle 41mm connection for system		Material PA6 GF30		NBR seals		Connection for Adsorber BSP G1/2" female

Total weight (kg): 0.03

NAME:

Flange adapter
FLA-LK41_PA_N_G12i

Article no.:
07.2140.00

Status approved

Format A4

Ratio 1:2

Sheet / of 1 / 1

	Date	Name
rev.	20.10.2020	Daniel Zinic

GIEBEL FilTec GmbH
www.giebel-adsorber.de
info@giebel-adsorber.de



GIEBEL Adsorber®
...setting standards in aeration drying!