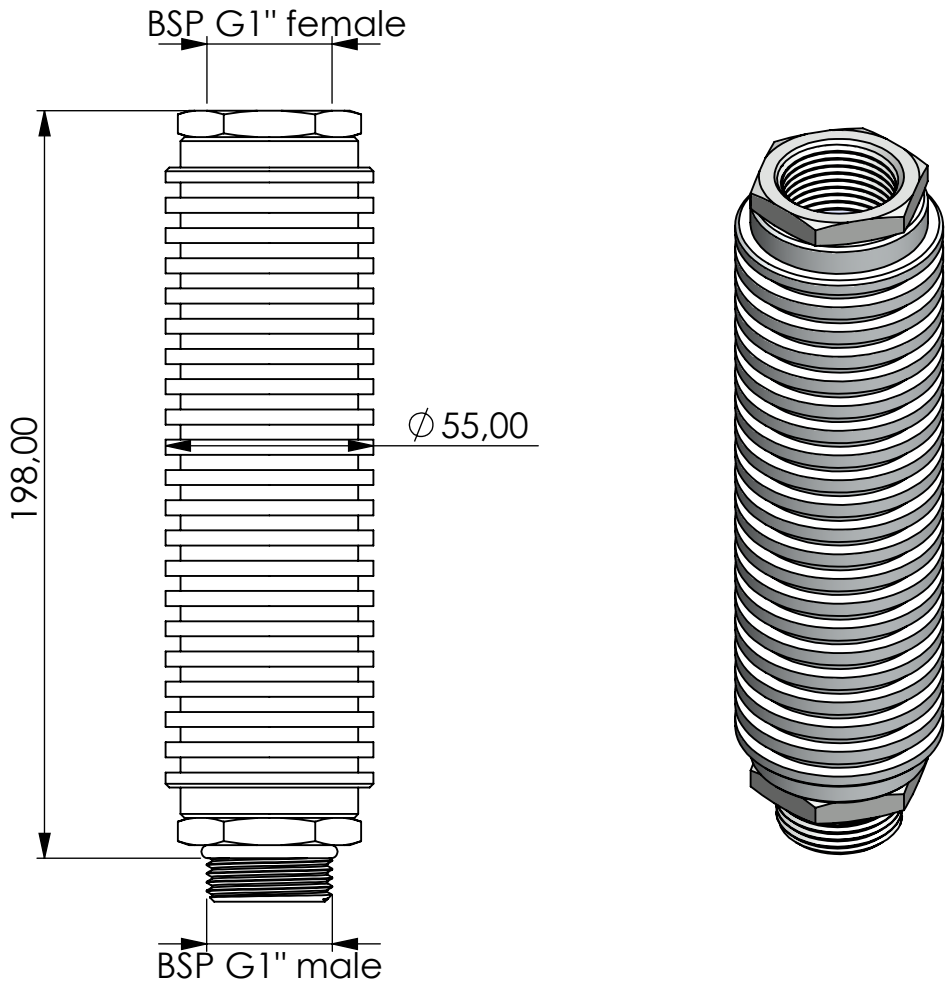


Oil demister



Product Code	OSD	-	180	-	AL	-	F	-	G1i	-	G1a
	Oil Demister		Size		Material Aluminium		FKM seals		Connection for Adsorber BSP G1" female		Connection for System BSP G1" male

Total weight (kg): 0.90

NAME:

Oil Demister
OSD-180_AL_F_G1i_G1a

Article no.:
03.2132.00

Status approved

Format A4

Ratio 1:2

Sheet / of 1 / 1

rev.	Date	Name
	18.01.2021	Daniel Zinic

GIEBEL FilTec GmbH
www.giebel-adsorber.de
info@giebel-adsorber.de



GIEBEL Adsorber®
 ...setting standards in aeration drying!