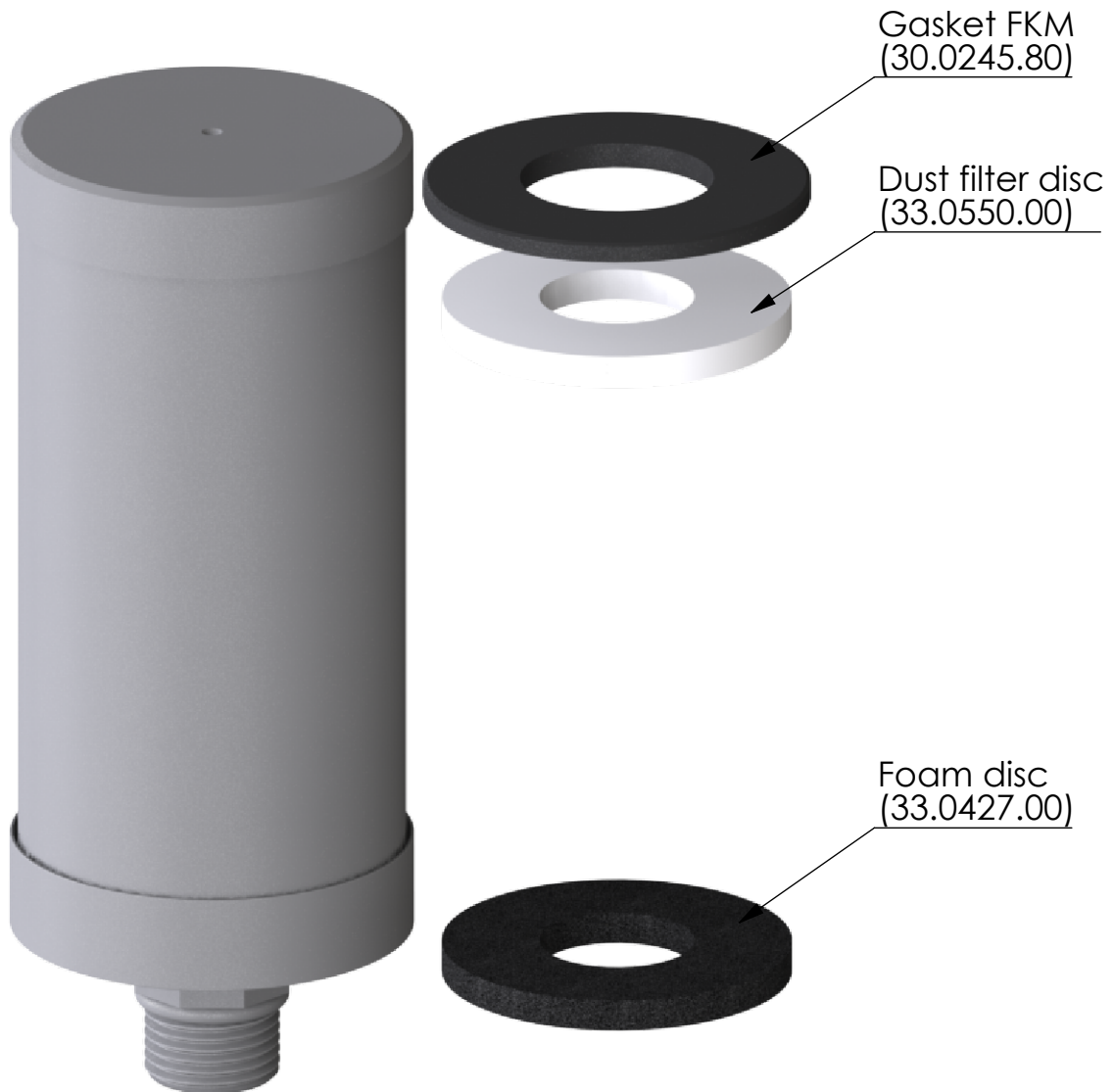


SPARE PARTS KIT ET VV-R 1



Silicagel needed per Adsorber:
 - Adsorber VV-R / RV 1M: 0,1 KG
 - Adsorber VV-R / RV 1L: 0,2 KG



Silicagel sold separately
 (please visit our shop at
giebel-adsorber.com/shop)



				Date	Name	Weight (kg): 0.1
				Created 30.11.2021	daniel.zinic	Naming: Spare Parts Kit ET_VV-R_1_F_V2
				Released 02.12.2021	daniel.zinic	
				GIEBEL FilTec GmbH giebel-adsorber.com info@giebel-adsorber.de		Article number: 05.0010.20
						Status approved
Rev	Changes	Date	Name	Observe protection note ISO 16016		Scale
						Sheet / of 1 / 1