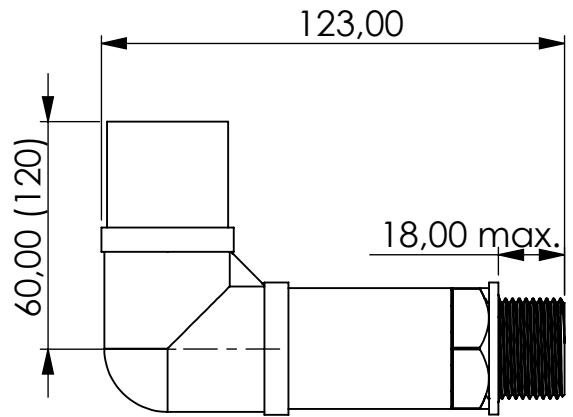
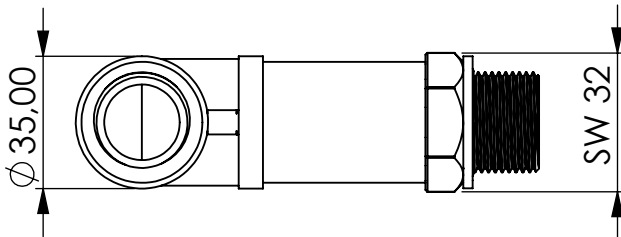
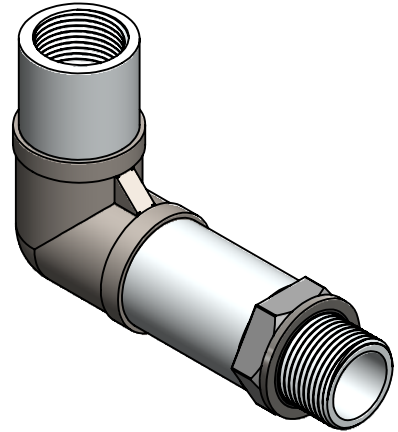


Mounting Adapter



Product Code	MOA	-	W	-	AL	-	N	-	G34i	-	G34a
	Mount Adapter		90° angle		Material Aluminium		NBR seals		Connection for Adsorber BSP G3/4" female		Connection for system BSP G3/4" male

Total weight (kg): 0.403

NAME:

Mounting Adapter
MOA-W_AL_N_G34i_G34a

Article no.:
03.0000.54

Status approved

Format A4

Ratio 1:2

Sheet / of 1 / 1

rev.	Date	Name
	05.09.2021	Daniel Zinic

GIEBEL FilTec GmbH
www.giebel-adsorber.de
info@giebel-adsorber.de



GIEBEL Adsorber®
...setting standards in aeration drying!