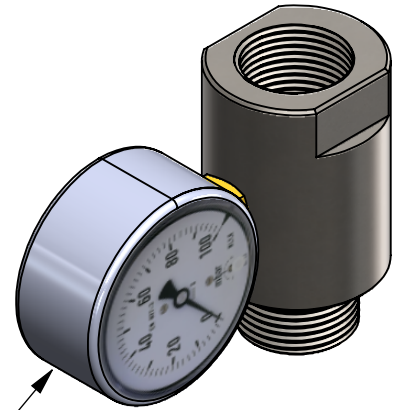
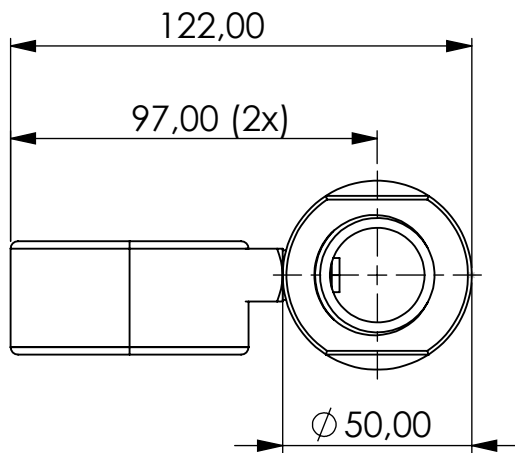
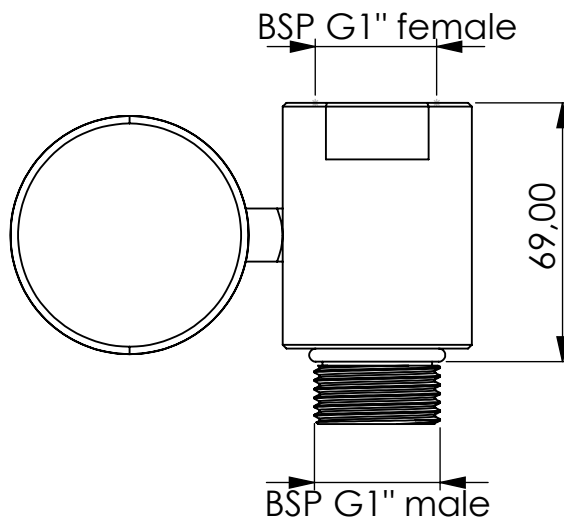


Protection Adapter



Contamination indicator for cases of blockage (100mbar).
Optically

- Pressure gauge (up to 100mbar)



| | | | | | | | | | | | | | |
|--------------|--------------------|---|---------------------|---|--------------------------|---|-----------|---|-------------------------------|---|----------------------------------------|---|--------------------------------------|
| Product Code | PRT | - | AD | - | SS | - | F | - | F0,08 | - | G1i | - | G1a |
| | Protection Adapter | | Adapter female-male | | Material stainless steel | | FKM seals | | Filterminder 0,1bar manometer | | Connection for Adsorber BSP G1" female | | Connection for Adsorber BSP G1" male |

Total weight (kg): 0.823

NAME:

Protection Adapter

PRT-AD_SS_F_F0,1-ma_G1i_G1a

Article no.:

08.2104.03

Status approved

Format A4

Ratio

1:2

Sheet / of

1 / 1



GIEBEL Adsorber®
...setting standards in aeration drying!

GIEBEL FilTec GmbH
www.giebel-adsorber.de
info@giebel-adsorber.de