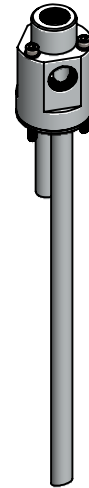
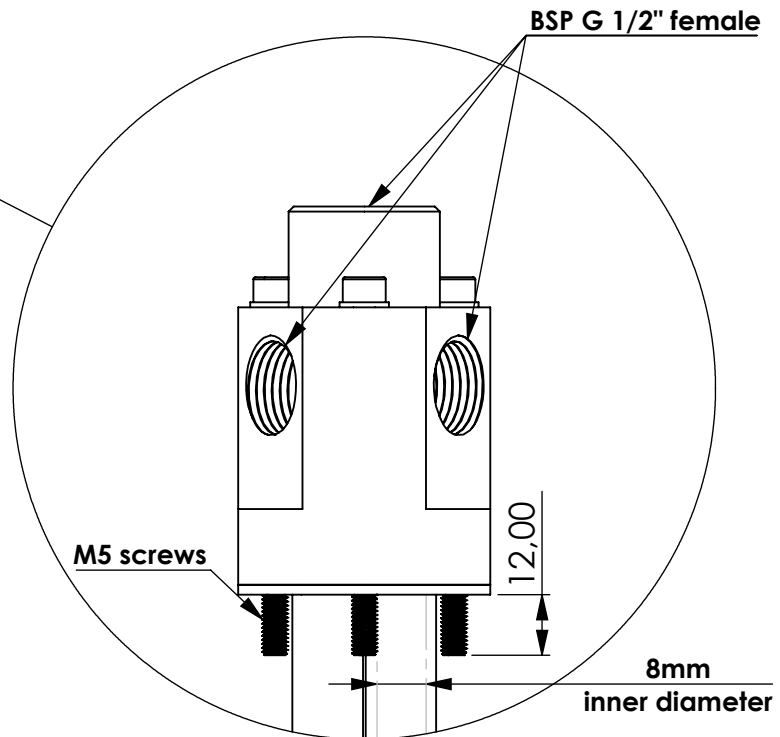
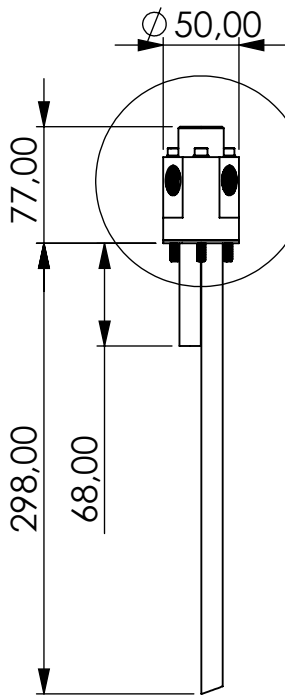
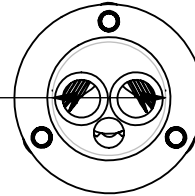


# Suction lance



( $\phi$  30,00)  
stays within  
nominal diameter



Product Code	<b>SAL</b>	-	<b>LK41</b>	-	<b>AL</b>	-	<b>F</b>	-	<b>2-G12i</b>	-	<b>G12i</b>
	Suction lance		Bolt circle 41mm		Material Aluminium		FKM seals		2x Connection for Bypass BSP G1/2" female		Connection for Adsorber BSP G1/2" female

Total weight (kg): 0.34

NAME:

**Suction lance**  
SAL-LK41\_AL\_F\_2-G12i\_G12i

Article no.:  
**08.2100.10**

Status approved

Format A4

Ratio 1:5

Sheet / of 1 / 1



**GIEBEL Adsorber®**  
...setting standards in aeration drying!

GIEBEL FilTec GmbH  
www.giebel-adsorber.de  
info@giebel-adsorber.de