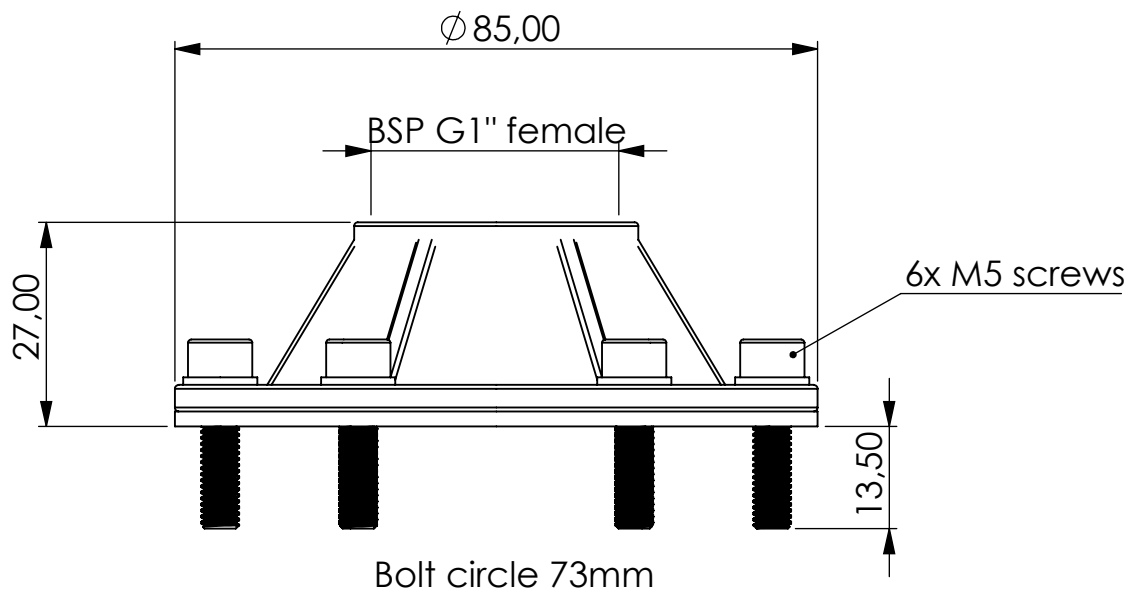
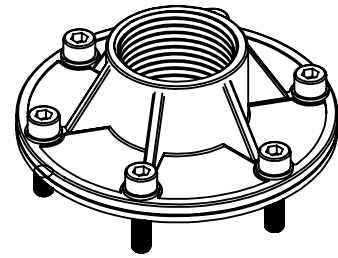


# Flange adapter



Product Code	<b>FLA</b>	-	<b>LK73</b>	-	<b>PA</b>	-	<b>N</b>	-	<b>G1i</b>
	Flange adapter		Bolt circle 73mm connection for system		Material PA6 GF30		NBR seals		Connection for Adsorber BSP G1" female

Total weight (kg): 0.06

NAME:

**Flange adapter**  
**FLA-LK73\_PA\_N\_G1i**

Article no.:  
**07.2134.01**

Status approved

Format A4

Ratio 1:2

Sheet / of 1 / 1

	Date	Name
rev.	20.10.2020	Daniel Zinic

GIEBEL FilTec GmbH  
[www.giebel-adsorber.de](http://www.giebel-adsorber.de)  
[info@giebel-adsorber.de](mailto:info@giebel-adsorber.de)



**GIEBEL Adsorber®**  
 ...setting standards in aeration drying!