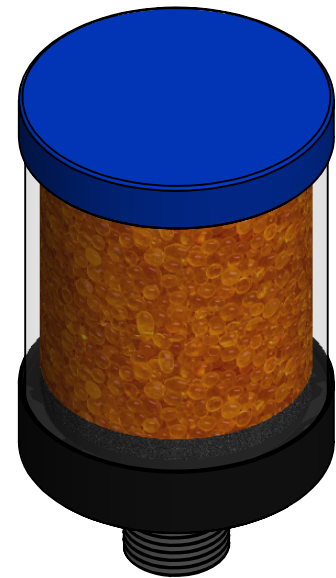
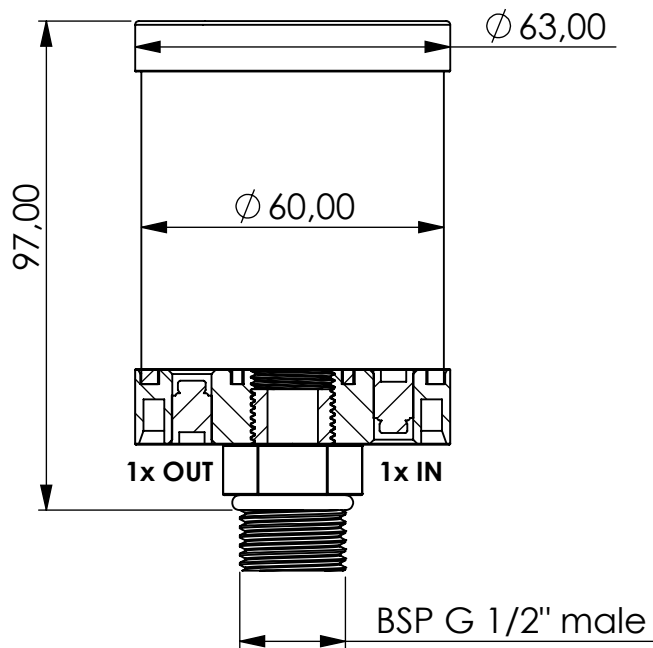


# Adsorber VV-RV series



Product Code	<b>VV</b>	-	<b>RV</b>	-	<b>1M</b>	-	<b>F</b>	-	<b>11</b>	-	<b>V2</b>	-	<b>S</b>	-	<b>G12a</b>
	Adsorber type		Refillable cartridge + valves		Size		FKM seals		Check valves 1 IN 1 OUT		Filter fleece 2 micron		Adsorbent Silica Gel		Connection for System BSP G1/2" male

Housing materials:		PA6, PC, PVC	
Silica Gel (kg):	0,1	Max. water adsorbtion (ml):	40
Total weight (kg):		0.19	
NAME:			
<b>Adsorber VV-RV 1M G1/2"m</b>			
<b>VV-RV_1M_F_11_V2_S_G12a</b>			
Article no.:		Status	Format
<b>05.0010.37</b>		freigabe	A4
		Maßstab	Blatt / von
		1:1.5	1 / 1

 <b>GIEBEL Adsorber®</b> <small>...setting standards in aeration drying!</small>	Date	Name
	rev. 06.04.2020	Daniel Zinic
GIEBEL FilTec GmbH www.giebel-adsorber.de info@giebel-adsorber.de		