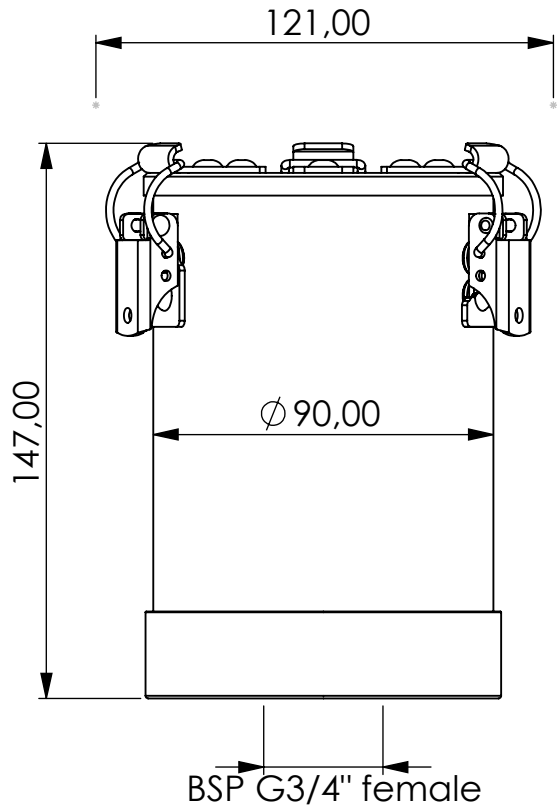


Adsorber VV-R series



| | | | | | | | | | | | | | | | |
|--------------|---------------|---|----------------------|---|-----------|---|-----------|---|----------------------------|---|--------------------------|---|--|---|---|
| Product Code | VV | - | R | - | 2M | - | F | - | 00 | - | P3 | - | SA | - | G34i |
| | Adsorber type | | Refillable cartridge | | Size | | FKM seals | | No valves 0 IN 0 OUT | | Paper filter 3 micron | | Adsorbent Silica Gel Active carbon | | Connection for System BSP G3/4" female |

| | | |
|--------------------|-------------|---------------------------------|
| Housing materials: | PA6, PC, AL | |
| Silica Gel (kg): | 0,3 | Max. water adsorbtion (ml): 120 |
| Total weight (kg): | 0.833 | |

| | | |
|--------------------------------|--------------------|--------------|
| NAME: | | |
| Adsorber VV-R 2M G3/4"f | | |
| VV-R_2M_F_00_P3_SA_G34i | | |
| Article no.: | Status freigabe | Format A4 |
| 05.0020.15 | Maßstab | Blatt / von |
| | 1:2 | 1 / 1 |

| | | |
|--|------------|--------------|
| | Date | Name |
| rev. | 26.01.2021 | Daniel Zinic |
|  GIEBEL Adsorber® ...setting standards in aeration drying! | | |
| GIEBEL FilTec GmbH www.giebel-adsorber.de info@giebel-adsorber.de | | |