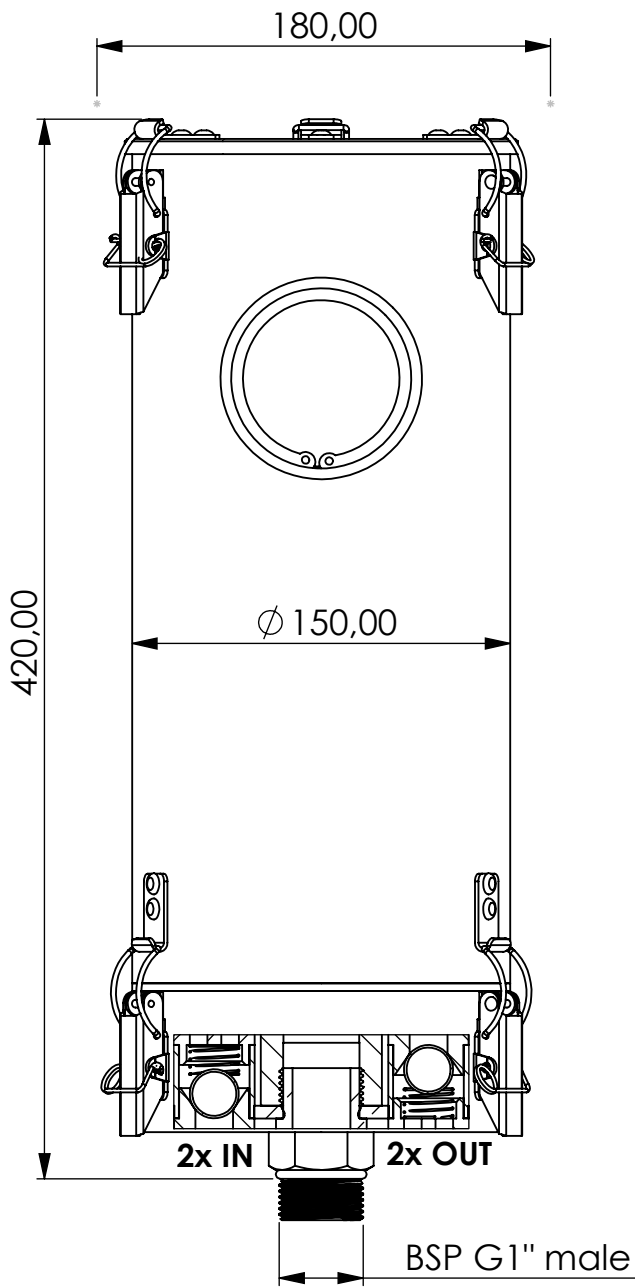


Adsorber MA-RV series



Product Code	MA	-	RV	-	5L	-	E	-	22	-	P3	-	SA	-	G1a
	Adsorber type		Refillable cartridge + valves		Size		EPDM seals		Check valves 2 IN 2 OUT		Paper filter 3 micron		Adsorbent Silica Gel Active carbon		Connection for System BSP G1" male

Housing materials: Aluminium	
Silica Gel (kg): 3,3	Max. water adsorbtion (ml): 1320
Total weight (kg): 6.85	
NAME:	
Adsorber MA-RV 5L EPDM G1"m	
MA-RV_5L_E_22_P3_SA_G1a	
Article no.:	Status
08.0003.16	freigabe
	Format
	A4
	Maßstab
	Blatt / von
	1 / 1

 GIEBEL Adsorber® ...setting standards in aeration drying!	Date	Name
	rev. 02.11.2020	Daniel Zinic
GIEBEL FilTec GmbH www.giebel-adsorber.de info@giebel-adsorber.de		