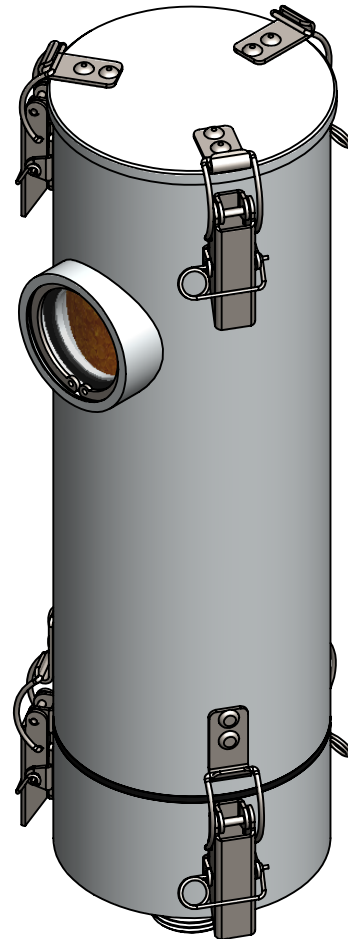
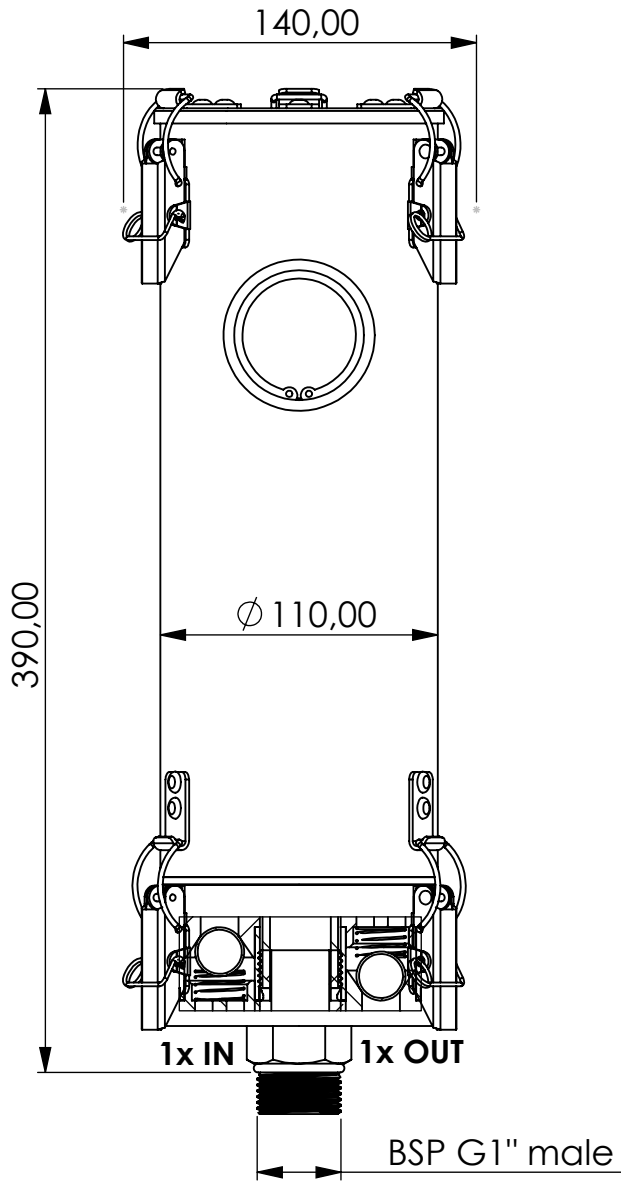


Adsorber MA-RV series



Product Code	MA	-	RV	-	3L	-	F	-	11	-	P3	-	SA	-	G1a
	Adsorber type		Refillable cartridge + valves		Size		FKM seals		Check valves 1 IN 1 OUT		Paper filter 3 micron		Adsorbent Silica Gel Active carbon		Connection for System BSP G1" male

Housing materials: Aluminium	
Silica Gel (kg): 1,4	Max. water adsorbtion (ml): 560
Total weight (kg): 3.66	
NAME:	
Adsorber MA-RV 3L G1"m	
MA-RV_3L_F_11_P3_SA_G1a	
Article no.:	Status
07.0001.26	freigabe
	Format
	A4
	Maßstab
	Blatt / von
	1 / 1

	Date	Name
rev.	21.09.2020	Daniel Zinic
 GIEBEL Adsorber® ...setting standards in aeration drying!		
GIEBEL FilTec GmbH www.giebel-adsorber.de info@giebel-adsorber.de		