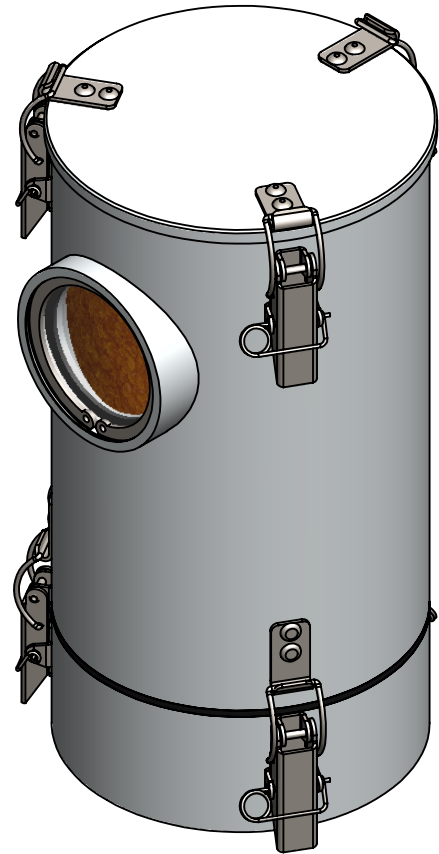
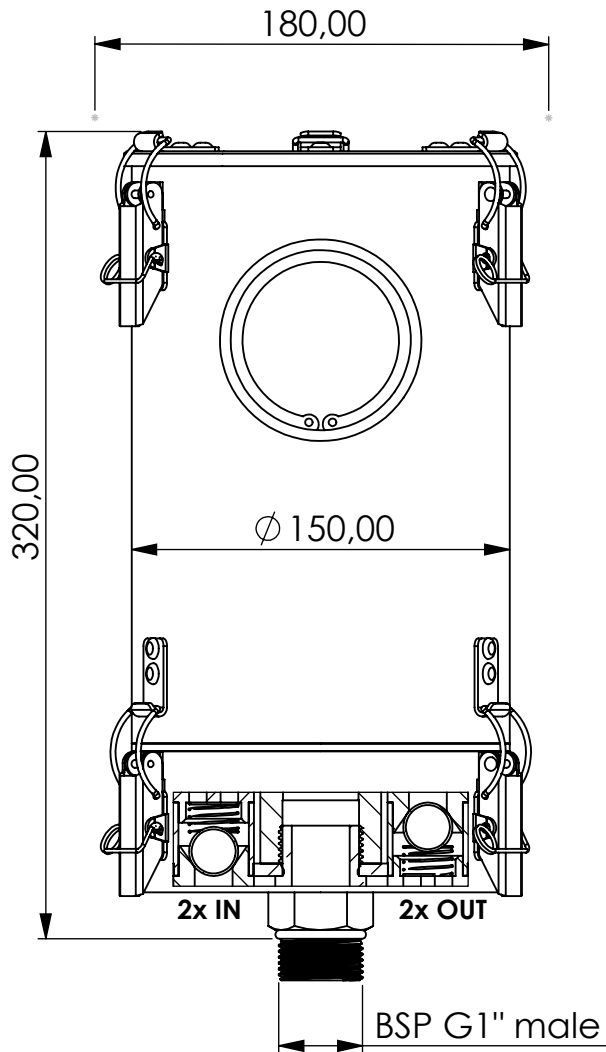


Adsorber MA-RV series



Product Code	MA	-	RV	-	5M	-	E	-	22	-	G3	-	SA	-	G1a
	Adsorber type		Refillable cartridge + valves		Size		EPDM seals		Check valves 2 IN 2 OUT		Glass fiber filter 3 micron		Adsorbent Silica Gel Active carbon		Connection for System BSP G1" male

Housing materials:	Aluminium	
Silica Gel (kg):	2,3	Max. water adsorbtion (ml):920
Total weight (kg):	5.25	
NAME:	Adsorber MA-RV 5M EPDM G1"m	
	MA-RV_5M_E_22_P3_SA_G1a	
Article no.:	08.0003.15	Status freigabe
		Format A4
		Maßstab Blatt / von
		1:3 1 / 1

 GIEBEL Adsorber® ...setting standards in aeration drying!	rev.	Date	Name
		29.10.2020	Daniel Zinic
GIEBEL FilTec GmbH www.giebel-adsorber.de info@giebel-adsorber.de			