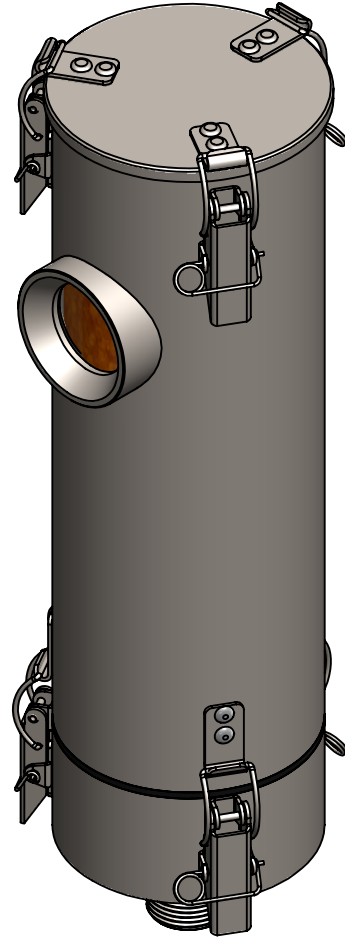
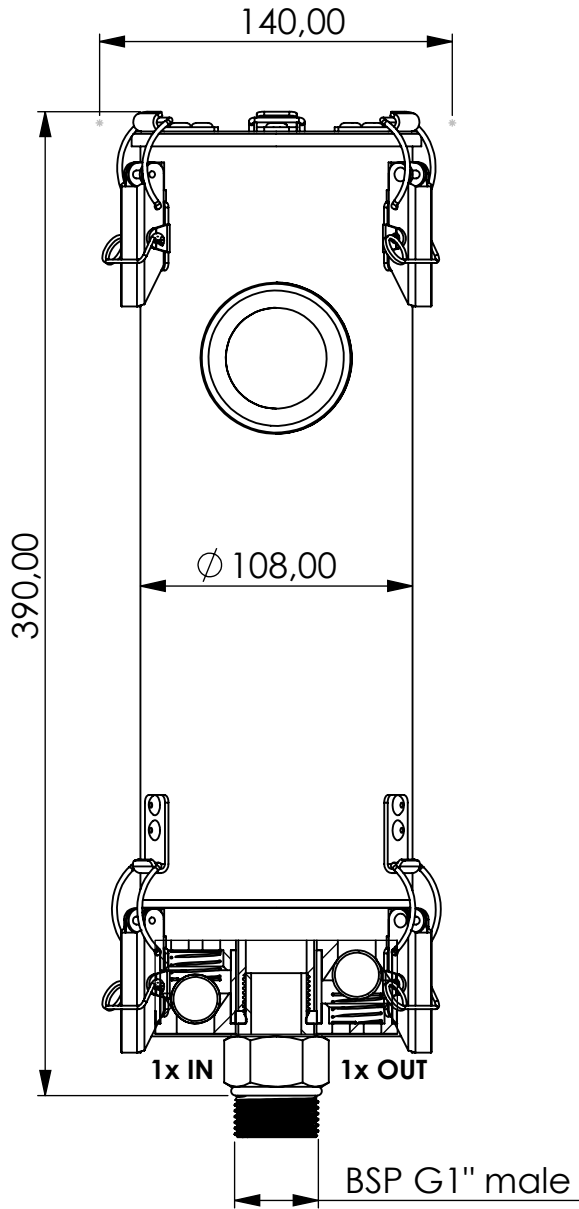


Adsorber ME-RV series



Product Code	ME	-	RV	-	3L	-	F	-	11	-	P3	-	SA	-	G1a
	Adsorber type		Refillable cartridge + valves		Size		FKM seals		Check valves 1 IN 1 OUT		Paper filter 3 micron		Adsorbent Silica Gel Active carbon		Connection for System BSP G1" male

Housing materials:	Stainless steel 316L	
Silica Gel (kg):	1,4	Max. water adsorbtion (ml): 560
Total weight (kg):	5.9	

NAME:		
Adsorber ME-RV 3L G1"m		
ME-RV_3L_F_11_P3_SA_G1a		
Article no.:	Status freigabe	Format A4
07.0001.41	Maßstab	Blatt / von
	1:3	1 / 1

 GIEBEL Adsorber® ...setting standards in aeration drying!	rev.	Date	Name
		22.12.2021	Daniel Zinic
GIEBEL FilTec GmbH www.giebel-adsorber.de info@giebel-adsorber.de			