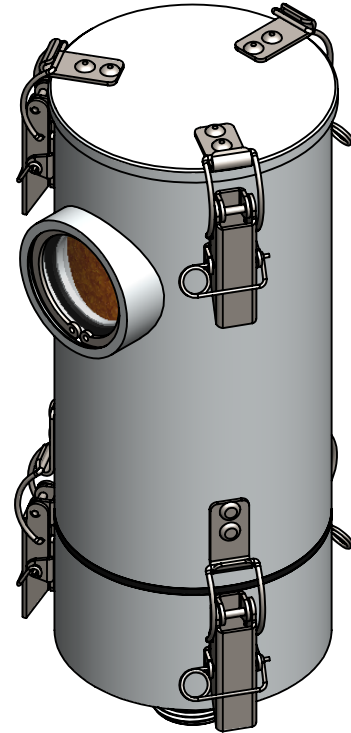
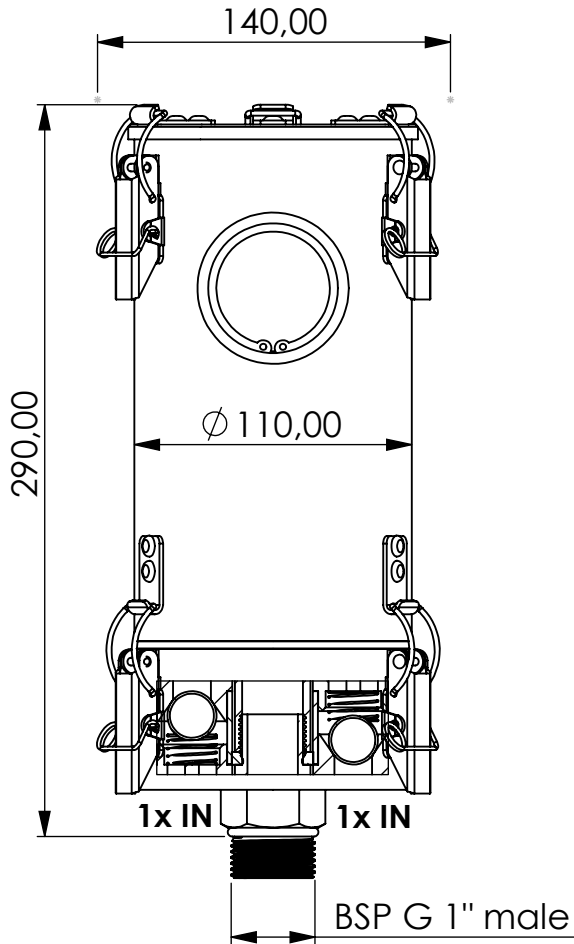


Adsorber MA-RV series



Product Code	MA	-	RV	-	3M	-	E	-	11	-	P3	-	SA	-	G1a
	Adsorber type		Refillable cartridge + valves		Size		EPDM seals		Check valves 1 IN 1 OUT		Paper filter 3 micron		Adsorbent Silica Gel Active carbon		Connection for System BSP G1" male

Housing materials:	Aluminium	
Silica Gel (kg):	0,9	Max. water adsorbtion (ml): 360
Total weight (kg):	2.73	
NAME:	Adsorber MA-RV 3M EPDM G1"m	
	MA-RV_3M_E_11_P3_SA_G1a	
Article no.:	07.0001.54	Status freigabe
		Format A4
		Maßstab Blatt / von
	1:3	1 / 1

 GIEBEL Adsorber® ...setting standards in aeration drying!	rev.	Date	Name
		26.10.2020	Daniel Zinic
GIEBEL FilTec GmbH www.giebel-adsorber.de info@giebel-adsorber.de			