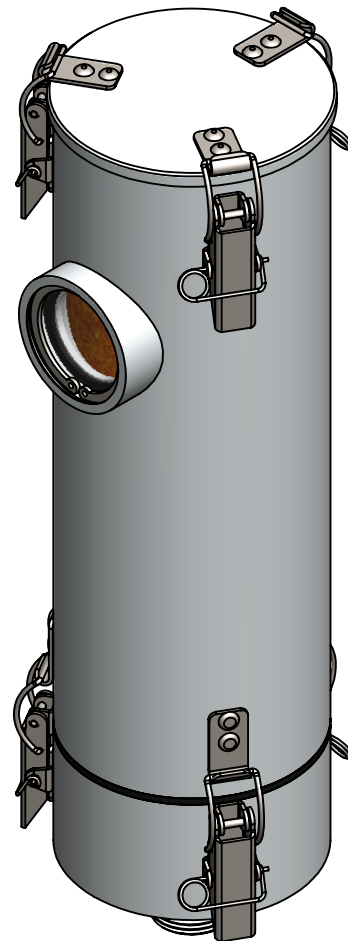
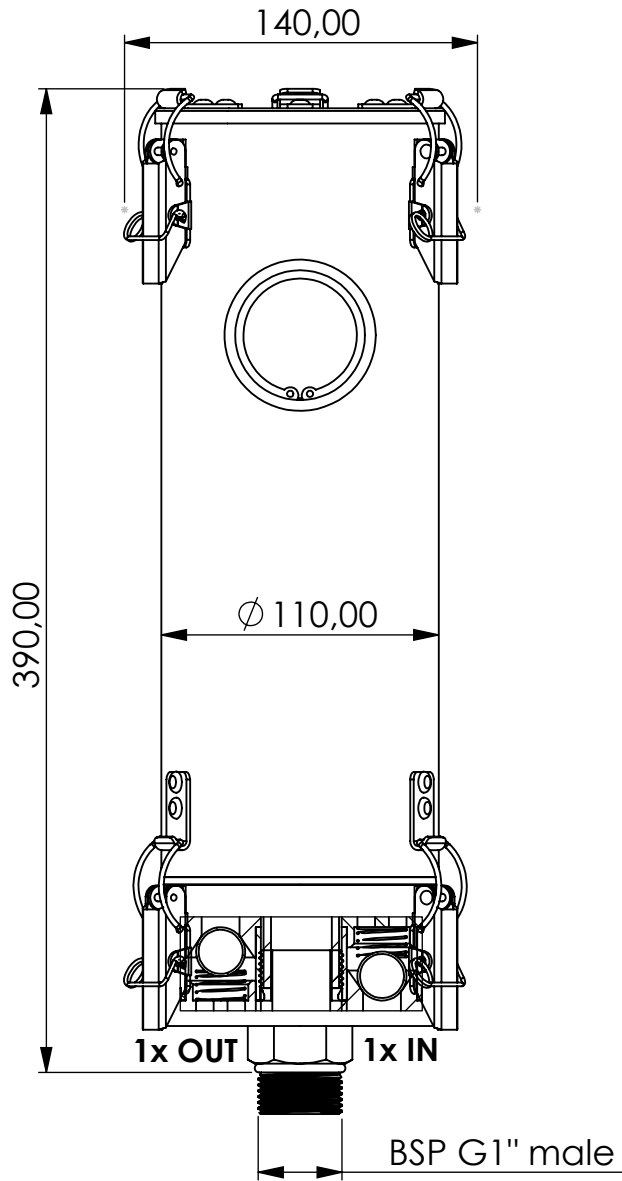


# Adsorber MA-RV series



|              |               |   |                               |   |           |   |            |   |                               |   |                          |   |  |   |                                       |
|--------------|---------------|---|-------------------------------|---|-----------|---|------------|---|-------------------------------|---|--------------------------|---|--|---|---------------------------------------|
| Product Code | <b>MA</b>     | - | <b>RV</b>                     | - | <b>3L</b> | - | <b>E</b>   | - | <b>11</b>                     | - | <b>P3</b>                | - | <b>SA</b>                                | - | <b>G1a</b>                            |
|              | Adsorber type |   | Refillable cartridge + valves |   | Size      |   | EPDM seals |   | Check valves<br>1 IN<br>1 OUT |   | Paper filter<br>3 micron |   | Adsorbent<br>Silica Gel<br>Active carbon |   | Connection for System<br>BSP G1" male |

|                    |           |                                 |
|--------------------|-----------|---------------------------------|
| Housing materials: | Aluminium |                                 |
| Silica Gel (kg):   | 1,4       | Max. water adsorbtion (ml): 560 |
| Total weight (kg): | 3.66      |                                 |

NAME:  
**Adsorber MA-RV 3L EPDM G1"m**  
**MA-RV\_3L\_E\_11\_P3\_SA\_G1a**

|  |      |            |              |
|--|------|------------|--------------|
|  <b>GIEBEL Adsorber®</b><br>...setting standards in aeration drying!          | rev. | Date       | Name         |
|  |      | 29.10.2020 | Daniel Zinic |
| GIEBEL FilTec GmbH<br><a href="http://www.giebel-adsorber.de">www.giebel-adsorber.de</a><br><a href="mailto:info@giebel-adsorber.de">info@giebel-adsorber.de</a> |      |            |              |

|                   |          |             |
|-------------------|----------|-------------|
| Article no.:      | Status   | Format      |
| <b>07.0001.45</b> | freigabe | A4          |
|                   | Maßstab  | Blatt / von |
|                   | 1:3      | 1 / 1       |