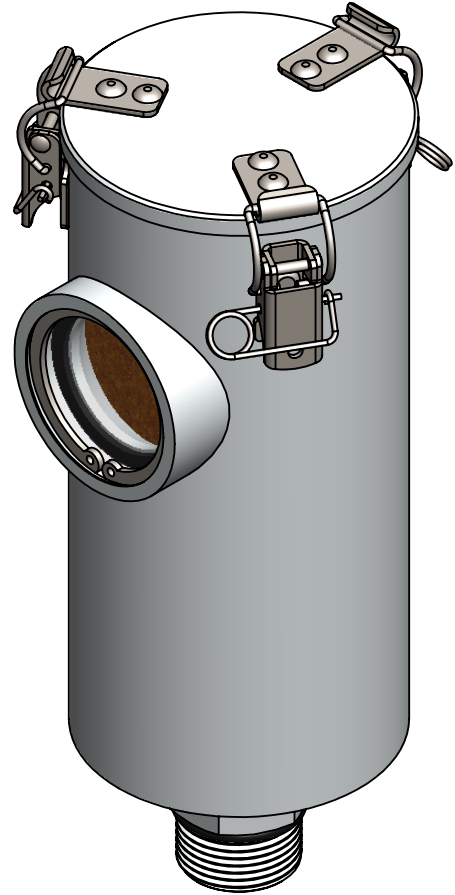
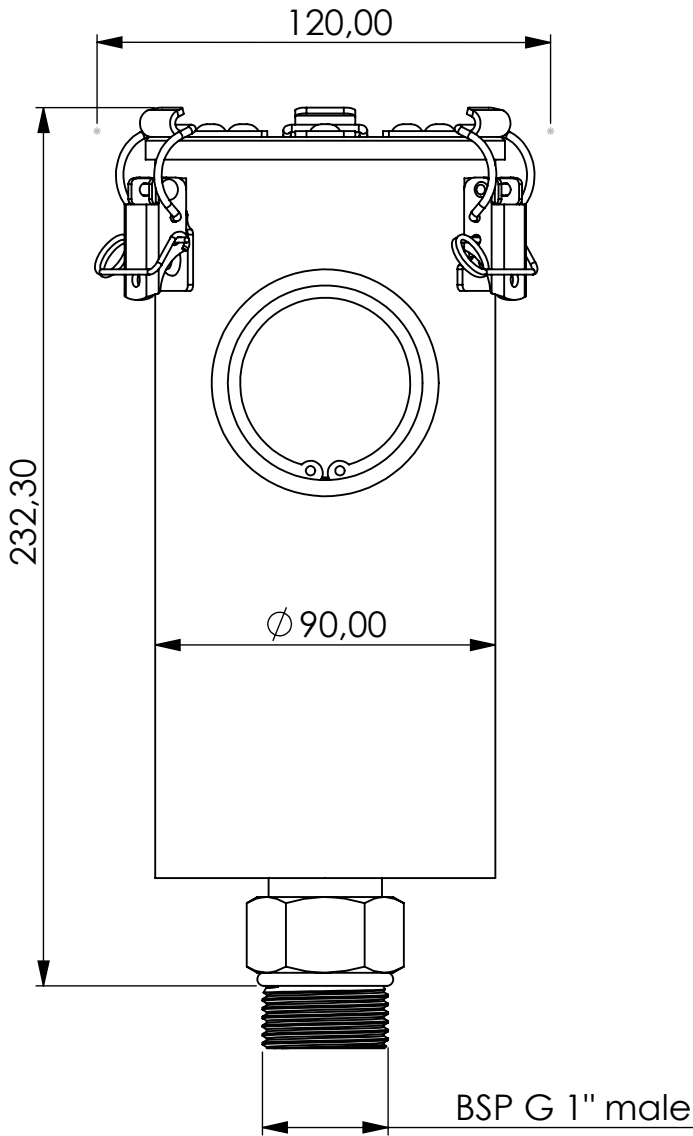


# Adsorber MA-RV series



Product Code	<b>MA</b>	-	<b>RV</b>	-	<b>2L</b>	-	<b>F</b>	-	<b>11</b>	-	<b>P3</b>	-	<b>SA</b>	-	<b>G1a</b>
	Adsorber type		Refillable cartridge + valves		Size		FKM seals		Check valves 1 IN 1 OUT		Paper filter 3 micron		Adsorbent Silica Gel Active carbon		Connection for System BSP G1" male

Housing materials:	Aluminium	
Silica Gel (kg):	0,6	Max. water adsorbtion (ml): 240
Total weight (kg):	1.70	

NAME:		
<b>Adsorber MA-RV 2L G1"m</b>		
<b>MA-RV_2L_F_11_P3_SA_G1a</b>		
Article no.:	Status freigabe	Format A4
<b>05.0030.90</b>	Maßstab	Blatt / von
	1:2	1 / 1

	Date	Name
rev.	22.09.2020	Daniel Zinic
 <b>GIEBEL Adsorber®</b> ...setting standards in aeration drying!		
GIEBEL FilTec GmbH <a href="http://www.giebel-adsorber.de">www.giebel-adsorber.de</a> <a href="mailto:info@giebel-adsorber.de">info@giebel-adsorber.de</a>		