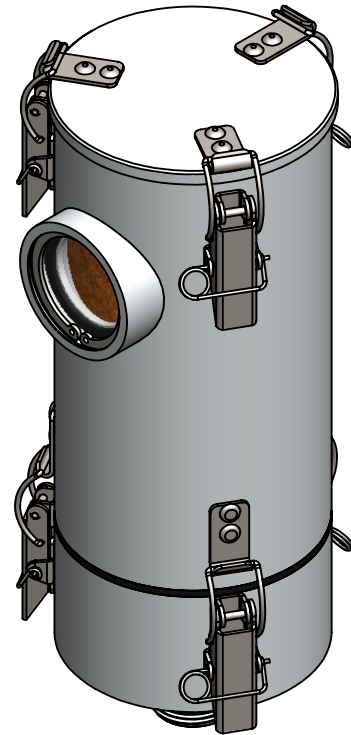
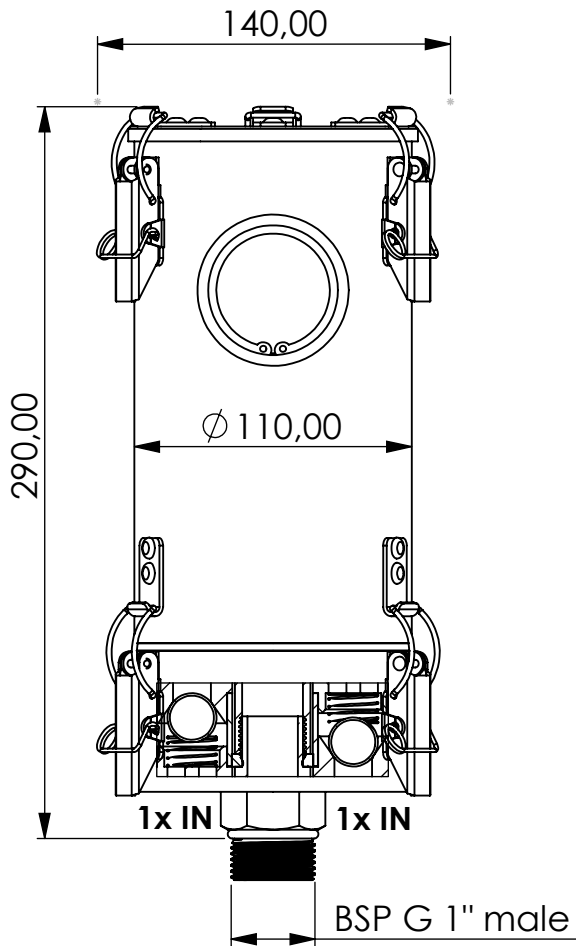


Adsorber MA-RV series



Product Code	MA	-	RV	-	3M	-	F	-	11	-	P3	-	SA	-	G1a
	Adsorber type		Refillable cartridge + valves		Size		FKM seals		Check valves 1 IN 1 OUT		Paper filter 3 micron		Adsorbent Silica Gel Active carbon		Connection for System BSP G1" male

Housing materials:	Aluminium	
Silica Gel (kg):	0,9	Max. water adsorbtion (ml): 360
Total weight (kg):	2.73	
NAME:	Adsorber MA-RV 3M G1"m	
	MA-RV_3M_F_11_P3_SA_G1a	
Article no.:	07.0000.53	Status freigabe
		Format A4
		Maßstab Blatt / von
	1:3	1 / 1

 GIEBEL Adsorber® <small>...setting standards in aeration drying!</small>	Date	Name
	rev. 26.10.2020	Daniel Zinic
GIEBEL FilTec GmbH www.giebel-adsorber.de info@giebel-adsorber.de		