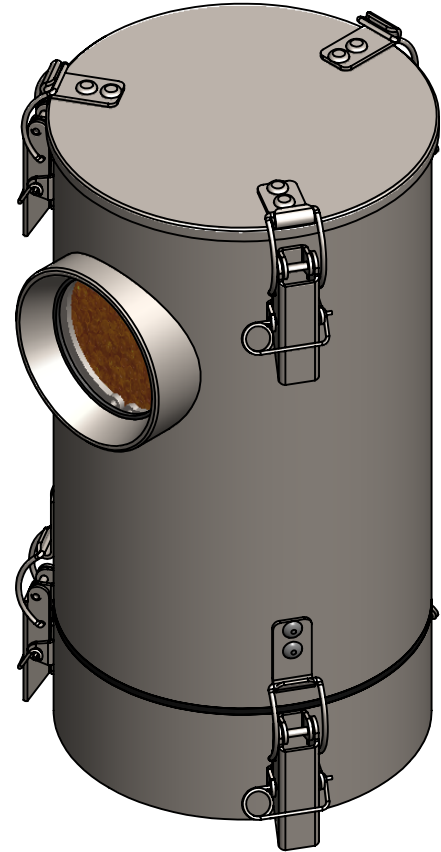
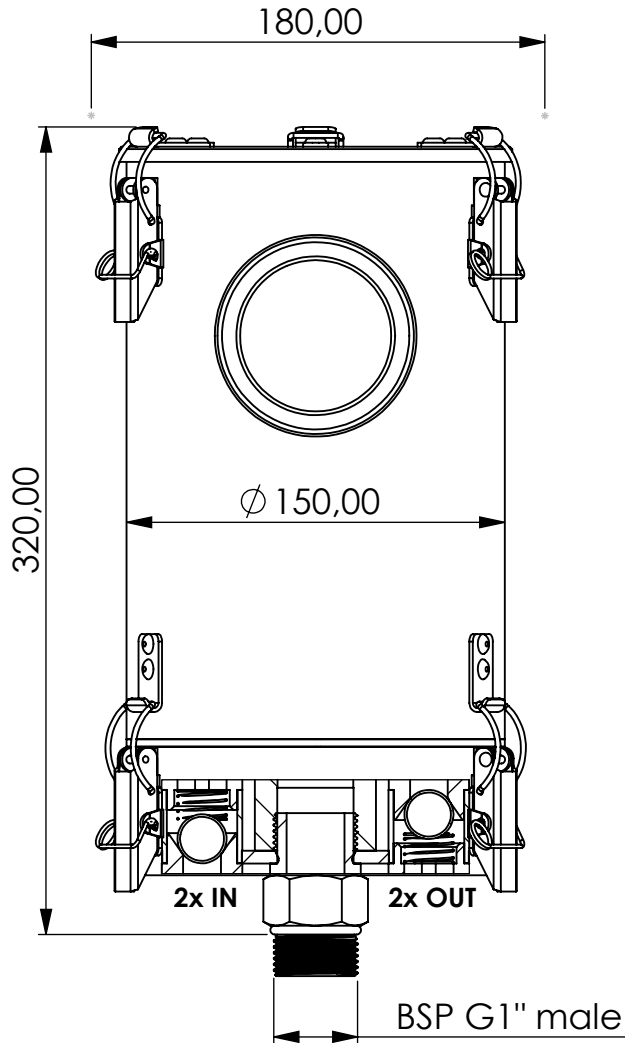


Adsorber ME-RV series



Product Code	ME	-	RV	-	5M	-	F	-	22	-	G3	-	SA	-	G1a
	Adsorber type		Refillable cartridge + valves		Size		FKM seals		Check valves 2 IN 2 OUT		Glass fiber filter 3 micron		Adsorbent Silica Gel Active carbon		Connection for System BSP G1" male

Housing materials:	Stainless steel 316L	
Silica Gel (kg):	2,4	Max. water adsorbtion (ml): 960
Total weight (kg):	8.6	

NAME:		
Adsorber ME-RV 5M G1"m		
ME-RV_5M_F_22_G3_SA_G1a		
Article no.:	Status freigabe	Format A4
08.0003.01	Maßstab	Blatt / von
	1:3	1 / 1

 GIEBEL Adsorber® ...setting standards in aeration drying!	rev.	Date	Name
		08.11.2020	Daniel Zinic
GIEBEL FilTec GmbH www.giebel-adsorber.de info@giebel-adsorber.de			