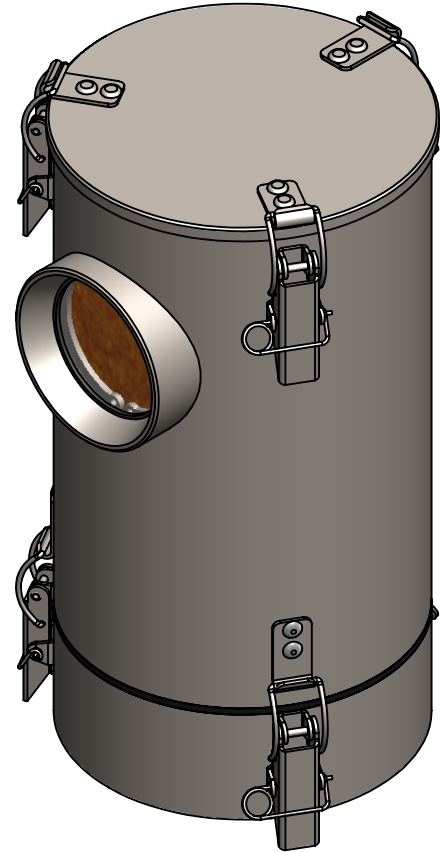
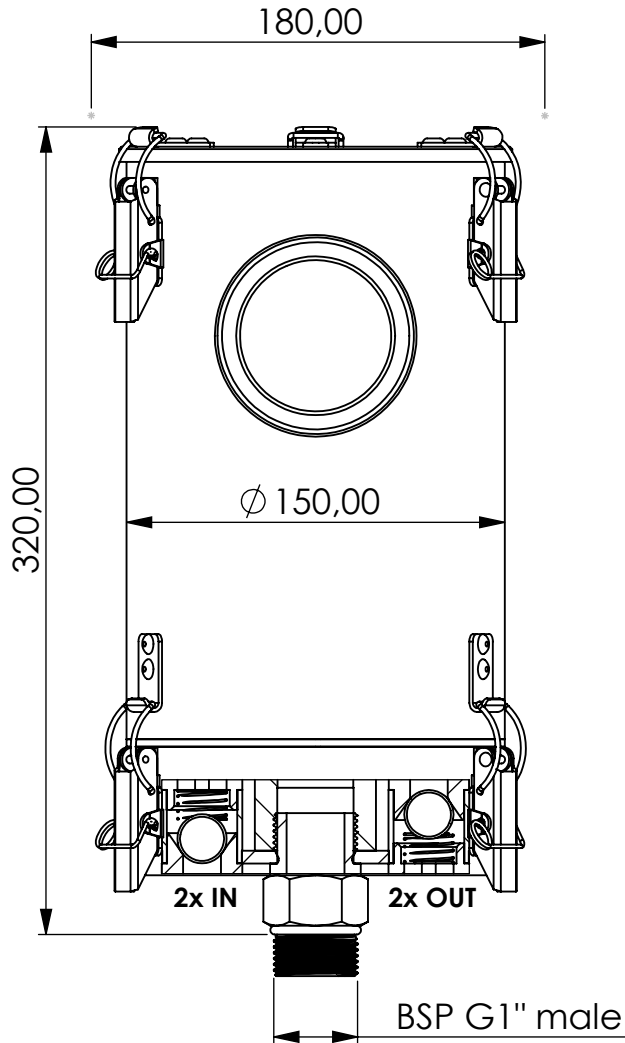


Adsorber ME-RV series



Product Code	ME	-	RV	-	5M	-	F	-	22	-	P3	-	SA	-	G1a
	Adsorber type		Refillable cartridge + valves		Size		FKM seals		Check valves 2 IN 2 OUT		Paper filter 3 micron		Adsorbent Silica Gel Active carbon		Connection for System BSP G1" male

Housing materials:	Stainless steel 316L	
Silica Gel (kg):	2,4	Max. water adsorbtion (ml): 960
Total weight (kg):	8.6	

NAME:		
Adsorber ME-RV 5M G1"m		
ME-RV_5M_F_22_P3_SA_G1a		
Article no.:	Status freigabe	Format A4
08.0003.01	Maßstab	Blatt / von
	1:3	1 / 1

	Date	Name
rev.	22.12.2021	Daniel Zinic



GIEBEL Adsorber®
...setting standards in aeration drying!

GIEBEL FilTec GmbH
www.giebel-adsorber.de
info@giebel-adsorber.de