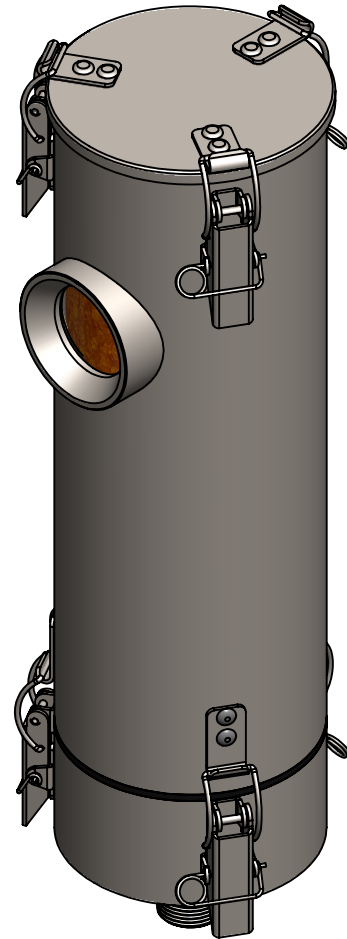
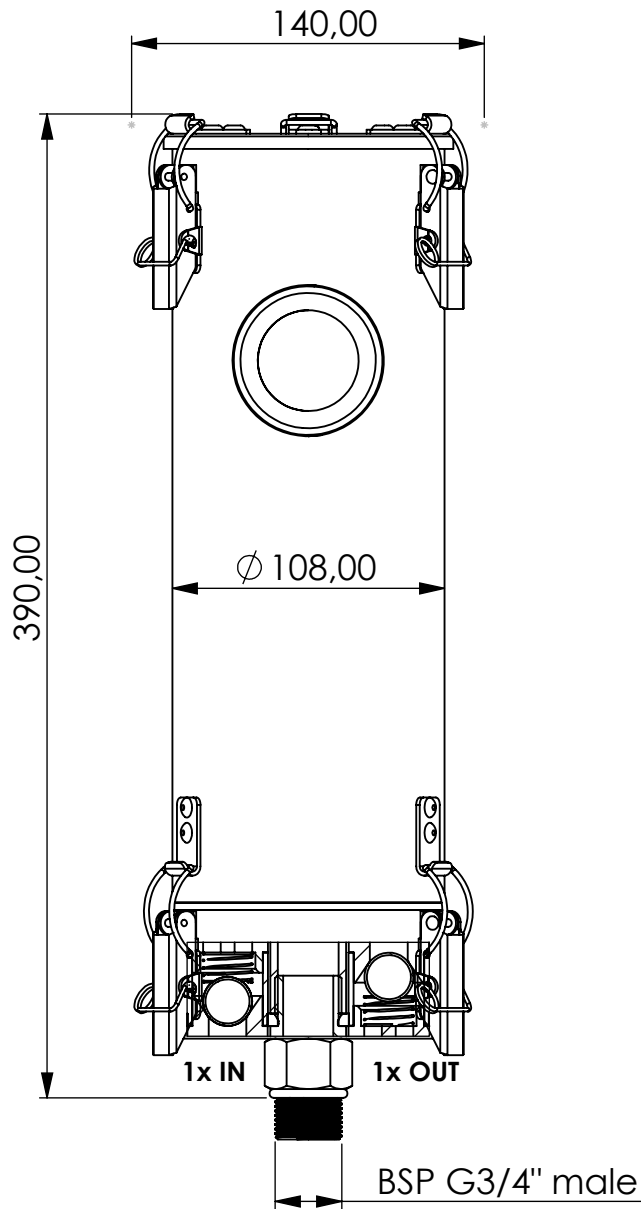


Adsorber ME-RV series



Product Code	ME	-	RV	-	3L	-	F	-	11	-	G3	-	SA	-	G34a
	Adsorber type		Refillable cartridge + valves		Size		FKM seals		Check valves 1 IN 1 OUT		Glass fiber filter 3 micron		Adsorbent Silica Gel Active carbon		Connection for System BSP G3/4" male

Housing materials:	Stainless steel 316L		
Silica Gel (kg):	1,4	Max. water adsorbtion (ml):	560
Total weight (kg):	5.8		
NAME:	Adsorber ME-RV 3L G3/4"m ME-RV_3L_F_11_G3_SA_G34a		
Article no.:	07.0001.51	Status freigabe	Format A4
		Maßstab	Blatt / von
		1:3	1 / 1

	Date	Name
rev.	20.10.2020	Daniel Zinic
 GIEBEL Adsorber® ...setting standards in aeration drying!		
GIEBEL FilTec GmbH www.giebel-adsorber.de info@giebel-adsorber.de		