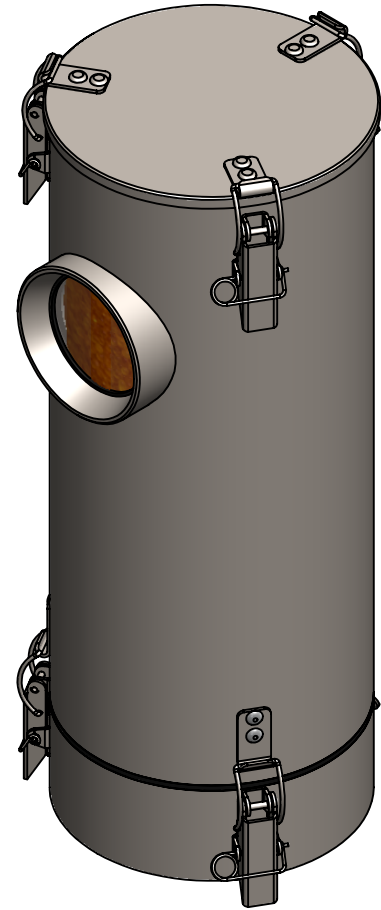
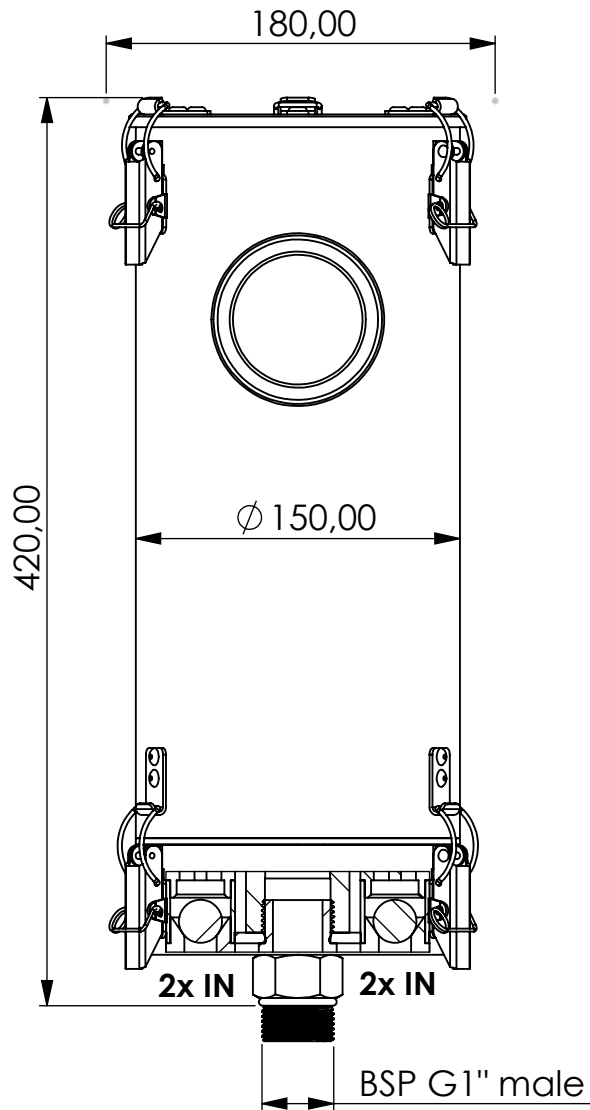


Adsorber ME-RV series



Product Code	ME	-	RV	-	5L	-	E	-	40	-	P3	-	SA	-	G1a
	Adsorber type		Refillable cartridge + valves		Size		EPDM seals		Check valves 4 IN 0 OUT		Paper filter 3 micron		Adsorbent Silica Gel Active carbon		Connection for System BSP G1" male

Housing materials:	Stainless steel 316L	
Silica Gel (kg):	3,5	Max. water adsorbtion (ml): 1400
Total weight (kg):	10.8	

NAME:
Adsorber ME-RV 5L EPDM IN G1"m
ME-RV_5L_E_40_P3_SA_G1a

Article no.:	Status	Format
	freigabe	A4
08.0003.26	Maßstab	Blatt / von
	1:3.5	1 / 1



GIEBEL FilTec GmbH
www.giebel-adsorber.de
info@giebel-adsorber.de

rev.	Date	Name
	22.12.2021	Daniel Zinic