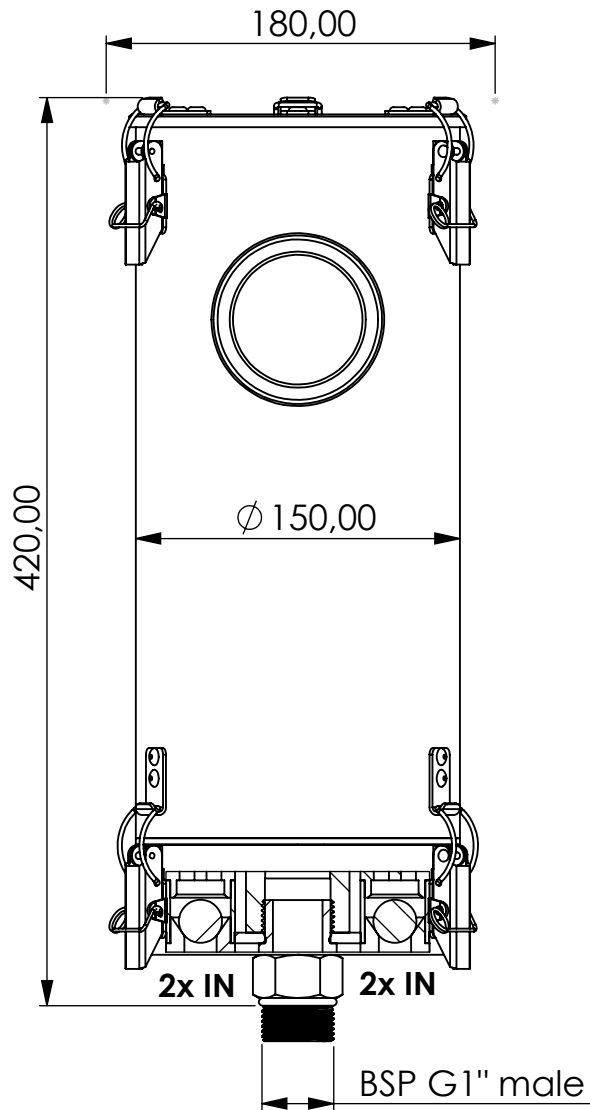


Adsorber ME-RV series



Product Code	ME	-	RV	-	5L	-	F	-	40	-	G3	-	SA	-	G1a
	Adsorber type		Refillable cartridge + valves		Size		FKM seals		Check valves 4 IN 0 OUT		Glass fiber filter 3 micron		Adsorbent Silica Gel Active carbon		Connection for System BSP G1" male

Housing materials:	Stainless steel 316L	
Silica Gel (kg):	3,5	Max. water adsorbtion (ml): 1400
Total weight (kg):	10.8	

NAME:		
Adsorber ME-RV 5L IN G1"m		
ME-RV_5L_F_40_G3_SA_G1a		
Article no.:	Status freigabe	Format A4
08.0003.24	Maßstab	Blatt / von
	1:3.5	1 / 1

 GIEBEL Adsorber® <small>...setting standards in aeration drying!</small>	Date	Name
	rev. 08.11.2020	Daniel Zinic
GIEBEL FilTec GmbH www.giebel-adsorber.de info@giebel-adsorber.de		