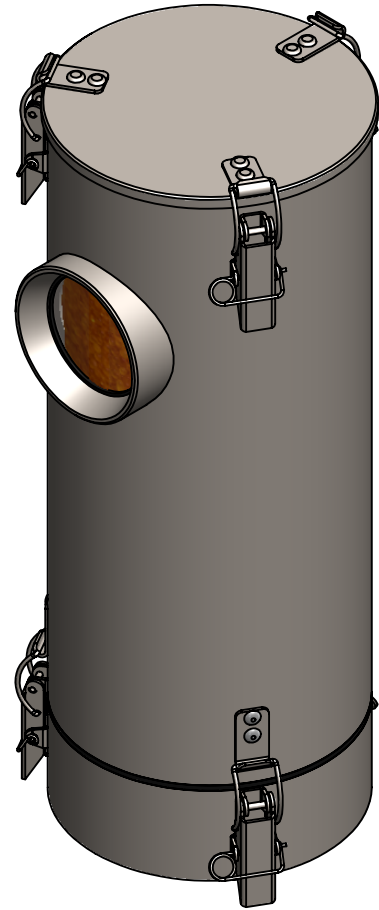
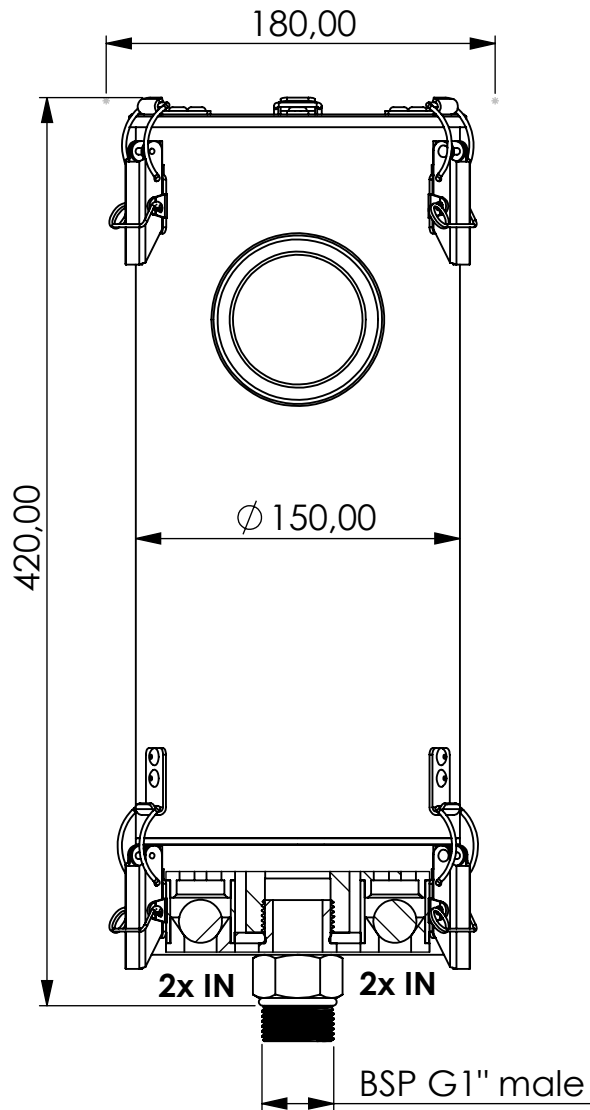


# Adsorber ME-RV series



Product Code	<b>ME</b>	-	<b>RV</b>	-	<b>5L</b>	-	<b>F</b>	-	<b>40</b>	-	<b>P3</b>	-	<b>SA</b>	-	<b>G1a</b>
	Adsorber type		Refillable cartridge + valves		Size		FKM seals		Check valves 4 IN 0 OUT		Paper filter 3 micron		Adsorbent Silica Gel Active carbon		Connection for System BSP G1" male

Housing materials:	Stainless steel 316L	
Silica Gel (kg):	3,5	Max. water adsorbtion (ml): 1400
Total weight (kg):	10.8	
NAME:	<b>Adsorber ME-RV 5L IN G1"m</b> <b>ME-RV_5L_F_40_P3_SA_G1a</b>	
Article no.:	<b>08.0003.24</b>	Status freigabe
		Format A4
		Maßstab Blatt / von
	1:3.5	1 / 1

	Date	Name
rev.	08.11.2020	Daniel Zinic
 <b>GIEBEL Adsorber®</b> ...setting standards in aeration drying!		
GIEBEL FilTec GmbH <a href="http://www.giebel-adsorber.de">www.giebel-adsorber.de</a> <a href="mailto:info@giebel-adsorber.de">info@giebel-adsorber.de</a>		