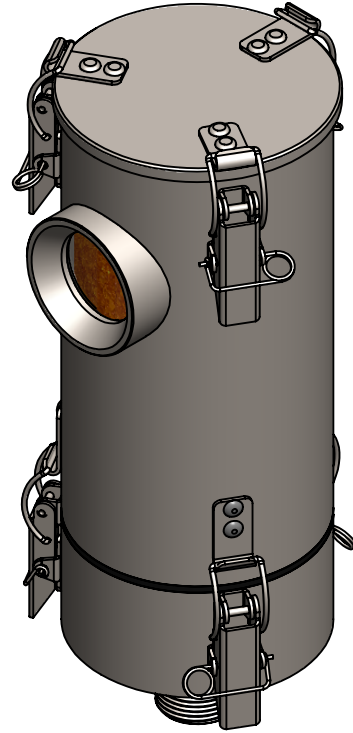
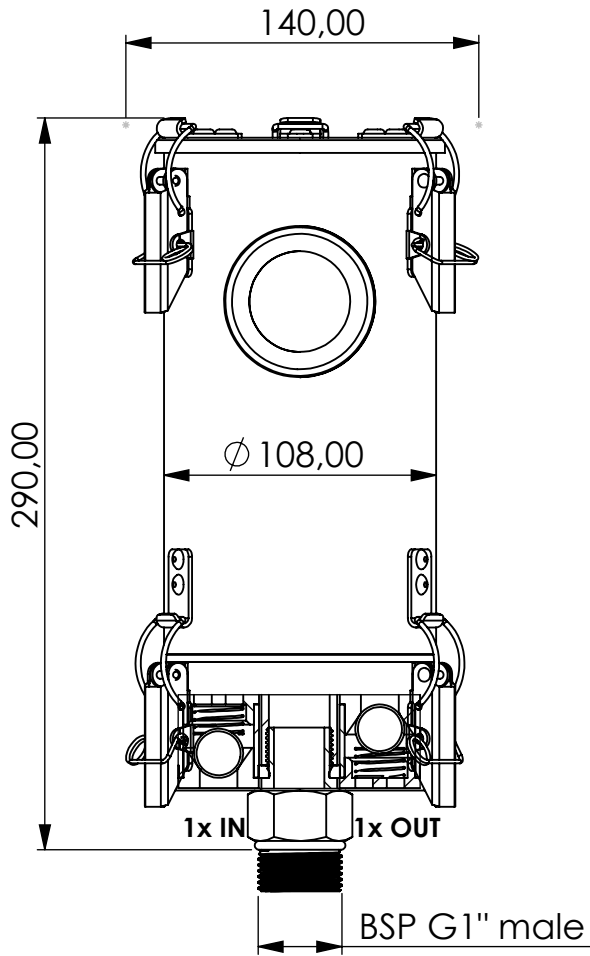


Adsorber ME-RV series



Product Code	ME	-	RV	-	3M	-	F	-	11	-	G3	-	SA	-	G1a
	Adsorber type		Refillable cartridge + valves		Size		FKM seals		Check valves 1 IN 1 OUT		Glass fiber filter 3 micron		Adsorbent Silica Gel Active carbon		Connection for System BSP G1" male

Housing materials:	Stainless steel 316L	
Silica Gel (kg):	0,9	Max. water adsorbtion (ml): 360
Total weight (kg):	4.58	

NAME:		
Adsorber ME-RV 3M G1"m		
ME-RV_3M_F_11_G3_SA_G1a		
Article no.:	Status freigabe	Format A4
07.0001.09	Maßstab	Blatt / von
	1:3	1 / 1

	Date	Name
rev.	28.10.2020	Daniel Zinic
GIEBEL FilTec GmbH		
www.giebel-adsorber.de		
info@giebel-adsorber.de		



GIEBEL Adsorber®
...setting standards in aeration drying!