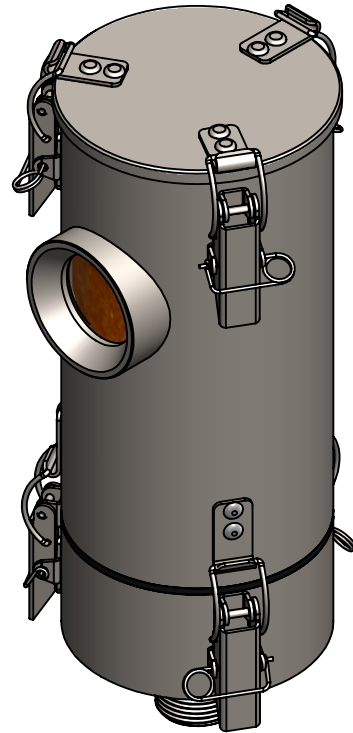
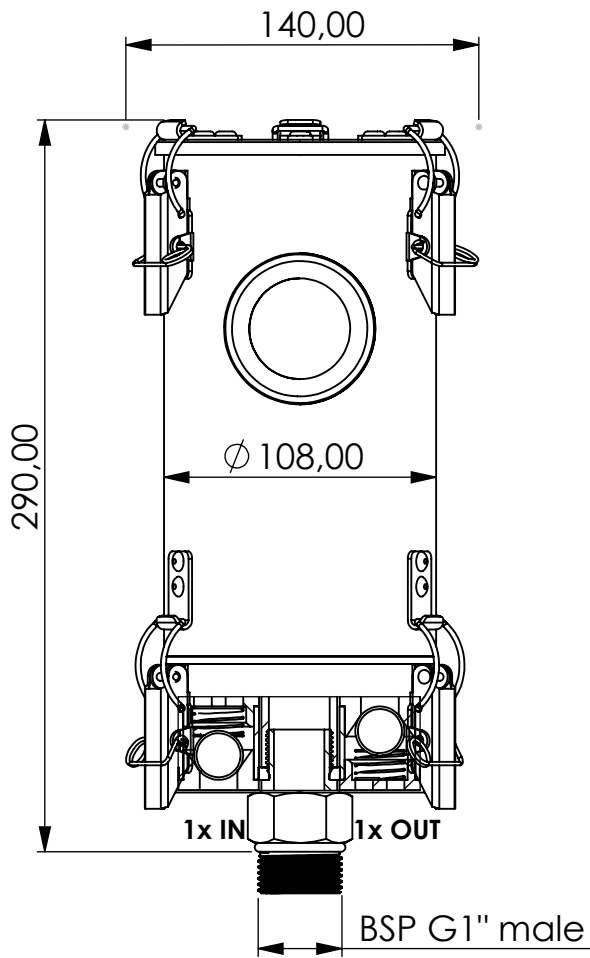


Adsorber ME-RV series



Product Code	ME	-	RV	-	3M	-	F	-	11	-	P3	-	SA	-	G1a
	Adsorber type		Refillable cartridge + valves		Size		FKM seals		Check valves 1 IN 1 OUT		Paper filter 3 micron		Adsorbent Silica Gel Active carbon		Connection for System BSP G1" male

Housing materials:	Stainless steel 316L		
Silica Gel (kg):	0,9	Max. water adsorbtion (ml):	360
Total weight (kg):	4.61		
NAME:	Adsorber ME-RV 3M G1"m ME-RV_3M_F_11_P3_SA_G1a		
Article no.:	07.0001.09	Status freigabe	Format A4
		Maßstab	Blatt / von
		1:3	1 / 1

	Date	Name
rev.	22.12.2021	Daniel Zinic

GIEBEL FilTec GmbH
www.giebel-adsorber.de
info@giebel-adsorber.de



GIEBEL Adsorber®
...setting standards in aeration drying!