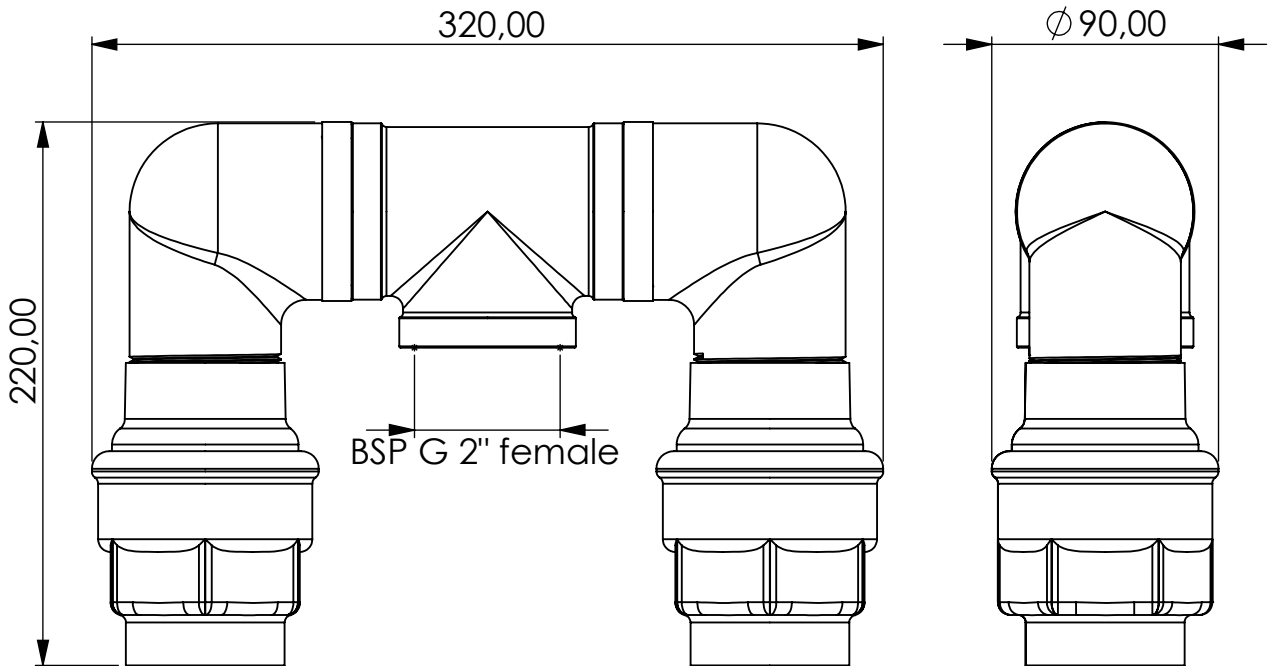
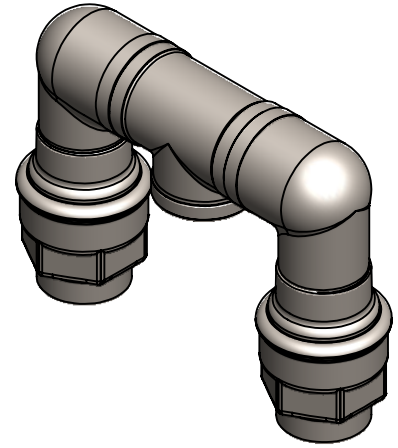


Ventilation System EBS



Product Code	EBS	-	SS	-	E	-	2	-	V0,015	-	G2i
	Ventilation System EBS		Material stainless steel 316L		EPDM seals		2 Valves (out)		15mbar opening pressure		Connection for System BSP G2" female

Total weight (kg): 2.998

NAME:

Ventilation System EBS
EBS_SS_E_2-V0,03_G1i_G2i

Article no.:
08.0000.84

Status approved

Format A4

Ratio 1:3

Sheet / of 1 / 1



GIEBEL Adsorber®
...setting standards in aeration drying!

GIEBEL FilTec GmbH
www.giebel-adsorber.de
info@giebel-adsorber.de