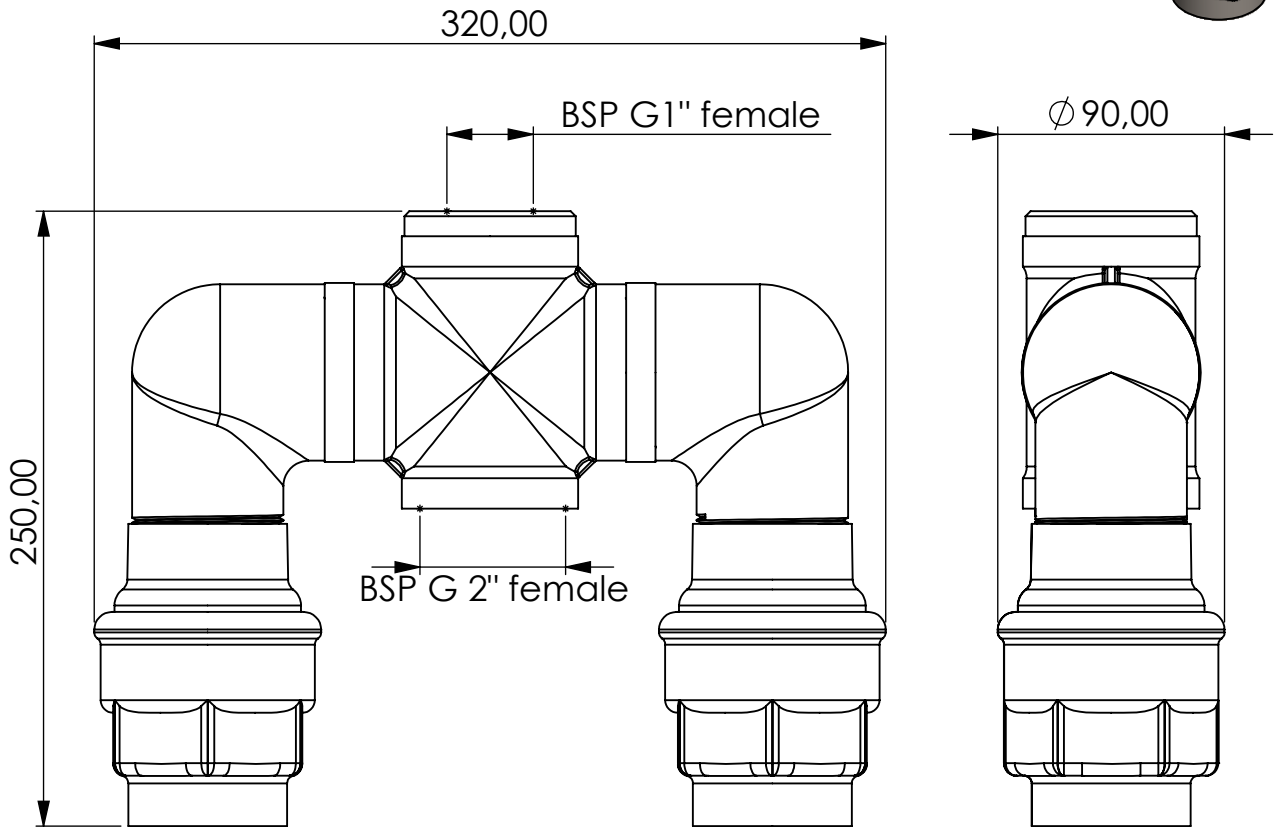
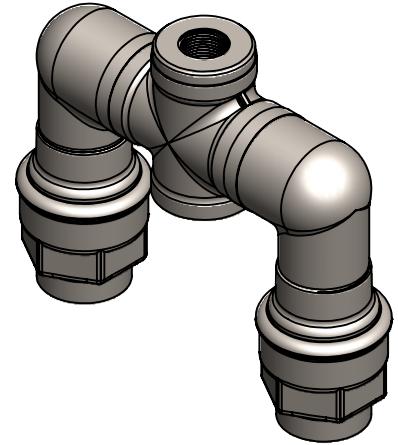


Ventilation System EBS



| | | | | | | | | | | | | | |
|--------------|------------------------|---|-------------------------------|---|------------|---|----------------|---|-------------------------|---|--|---|--------------------------------------|
| Product Code | EBS | - | SS | - | E | - | 2 | - | V0,015 | - | G1i | - | G2i |
| | Ventilation System EBS | | Material stainless steel 316L | | EPDM seals | | 2 Valves (out) | | 15mbar opening pressure | | Connection for Adsorber BSP G1" female | | Connection for System BSP G2" female |

Total weight (kg): 3.536

NAME:

Ventilation System EBS
EBS_SS_E_2-V0,015_G1i_G2i

Article no.:
08.0000.82

Status approved

Format A4

Ratio 1:3

Sheet / of 1 / 1

| rev. | Date | Name |
|------|------------|--------------|
| | 25.06.2020 | Daniel Zinic |

GIEBEL FilTec GmbH
www.giebel-adsorber.de
info@giebel-adsorber.de



GIEBEL Adsorber®
...setting standards in aeration drying!