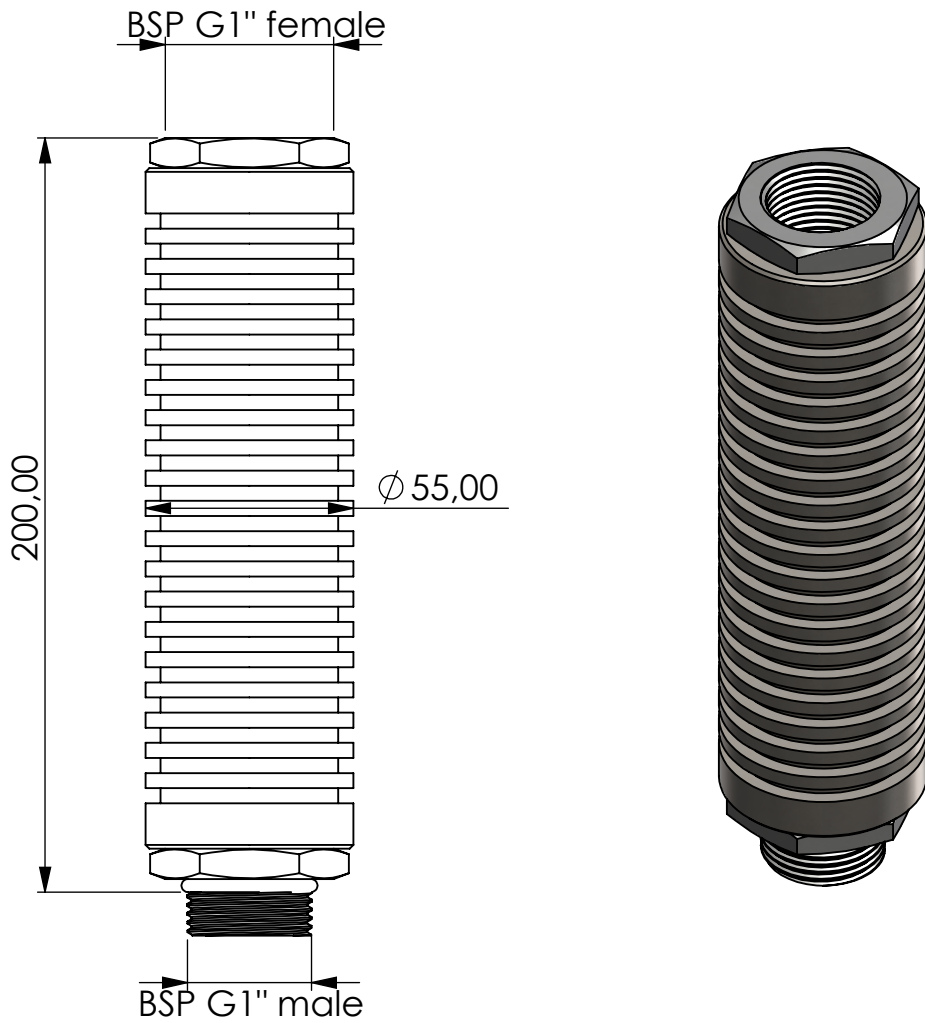


Oil demister



Product Code	OSD	-	180	-	SS	-	F	-	G1i	-	G1i
	Oil Demister		Size		Material Stainless steel		FKM seals		Connection for Adsorber BSP G1" female		Connection for System BSP G1" male

Total weight (kg): 1.55

NAME:

Oil Demister

OSD_180_SS_F_G1i_G1a

Article no.:

03.2135.05

Status approved

Format A4

Ratio

1:2

Sheet / of

1 / 1



GIEBEL Adsorber®
...setting standards in aeration drying!

GIEBEL FilTec GmbH
www.giebel-adsorber.de
info@giebel-adsorber.de