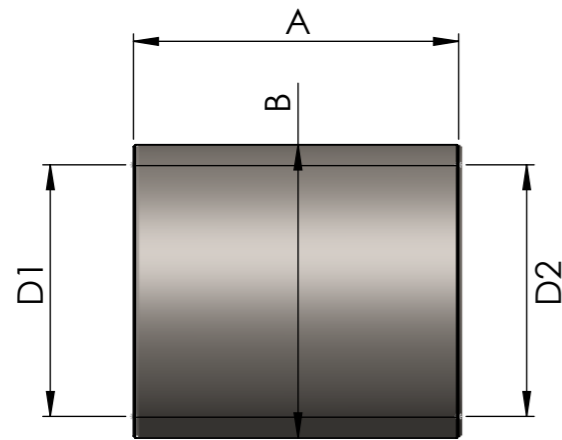


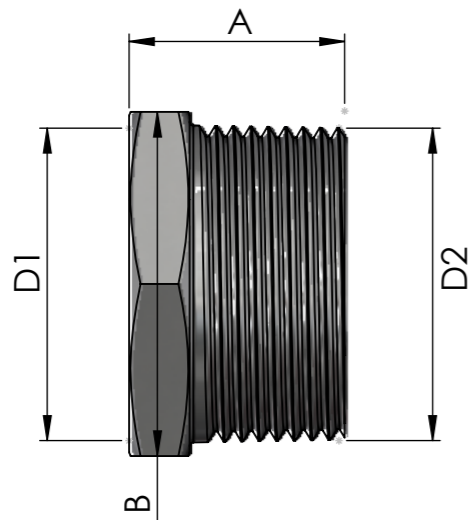
Adapter AA (male-male)

Article no.	Product code	Material	Seal	A	B	C1	C2	D1	D2
03.2120.03	AD-AA_AL_F_G1a_G1a	Aluminum	FKM	28,5mm	36mm	20mm	16,5mm	BSP G1" m.	BSP G1" m.
03.2129.02	AD-AA_AL_F_G34a_G1a	Aluminum	FKM	28,5mm	36mm	20mm	16,5mm	BSP G3/4" m.	BSP G1" m.
03.2154.04	AD-AA_AL_F_G34a_G34a	Aluminum	FKM	28,5mm	30mm	20mm	16,5mm	BSP G3/4" m.	BSP G3/4" m.
03.2164.03	AD-AA_AL_G1a_N1a	Aluminum	-	25mm	36mm	20mm	25mm	BSP G1" m.	BSP NPT 1" m.
03.2180.01	AD-AA_PVC_F_G38a_G38a	PVC	FKM	13mm	24mm	11mm	8mm	BSP G3/8" m.	BSP G3/8" m.
03.2180.02	AD-AA_PVC_F_G38a_G12a	PVC	FKM	13mm	24mm	11mm	12mm	BSP G3/8" m.	BSP G1/2" m.
03.2180.03	AD-AA_PVC_F_G38a_G34a	PVC	FKM	15,5mm	32mm	11mm	12,5mm	BSP G3/8" m.	BSP G3/4" m.
03.2206.00	AD-AA_AL_F_G34m_S1m	Aluminum	FKM	25mm	36mm	20mm	20mm	BSP G3/4" m.	Slipfit 1" m.
04.2107.03	AD-AA_AL_G34a_N1a	Aluminum	-	25mm	36mm	20mm	25mm	BSP G3/4" m.	BSP NPT 1" m.



Adapter II (female-female)

Article no.	Product code	Material	Seal	A	B	C1	C2	D1	D2
08.2124.24	AD-II_SS_G1i_G114i	Stainless steel	-	39mm	49mm	-	-	BSP G1" f.	BSP G1-1/4" f.
08.2150.05	AD-II_SS_G1i_G112i	Stainless steel	-	46mm	55mm	-	-	BSP G1" f.	BSP G1-1/2" f.
08.2150.06	AD-II_SS_G1i_G2i	Stainless steel	-	49mm	67mm	-	-	BSP G1" f.	BSP G2" f.
08.2150.10	AD-II_AL_G1i_M40x1,5i	Aluminum	-	40mm	50mm	-	-	BSP G1" f.	M40x1,4 f.
08.2167.10	AD-II_SS_43mm_G1i	Stainless steel	-	43mm	39mm	-	-	BSP G1" f.	BSP G1" f.



Adapter IA (female-male)

Article no.	Product code	Material	Seal	A	B	C1	C2	D1	D2
03.2164.39	AD-IA_SS_R1i_R114a	Stainless steel	-	29mm	46mm	-	-	Rp 1" f.	R 1-1/4" m.
03.2182.00	AD-IA_SS_R34i_R2a	Stainless steel	-	42mm	62mm	-	-	Rp 3/4" f.	R 2" m.
03.2206.03	AD-IA_AL_N_G1i_S1a	Aluminum	NBR	50mm	36mm	-	-	BSP G1" f.	Slipfit 1" m.
07.2106.00	AD-IA_PP_G1i_G2a	Polypropylene	-	44mm	70mm	-	-	BSP G1" f.	BSP G2" m.
07.2106.01	AD-IA_PP_G34i_G2a	Polypropylene	-	43mm	65mm	-	-	BSP G3/4" f.	BSP G2" m.
07.2122.00	AD-IA_SS_R1i_R112a	Stainless steel	-	17mm	30mm	-	-	Rp 1" f.	R 1-1/2" m.
07.2122.01	AD-IA_SS_R1i_R2a	Stainless steel	-	32mm	62mm	-	-	Rp 1" f.	R 2" m.
07.2122.02	AD-IA_St_R1i_R3a	Steel	-	32mm	92mm	-	-	Rp 1" f.	R 3" m.
07.2160.00	AD-IA_PE_G34i_S56x4a	Polyethylene	-	39mm	61mm	-	-	BSP G3/4" f.	Trisure S56x4 m.
07.2162.00	AD-IA_PE_G34i_S70x6a	Polyethylene	-	39mm	74mm	-	-	BSP G3/4" f.	Trisure S70x6 m.

Weitergabe sowie Vervielfältigung dieses Dokuments, Verwertung und Mitteilung seines Inhalts sind verboten, soweit nicht ausdrücklich gestattet. Zuwiderhandlungen verpflichten zu Schadensersatz. Alle Rechte für den Fall der Patent-, Gebrauchsmuster- oder Geschmacksmarkenverletzung vorbehalten.

 GIEBEL FilTec GmbH <small>GIEBEL Adsorber setting standards in aeration drying</small>		Allgmeintoleranzen DIN ISO 2768-mK	 DIN 6 T1 - Proj.methode 1	Rohabmessung: Material: Gewicht (kg):
Datum Name		Erstellt 12.11.2021 Daniel Zinic Gepr. Freig. 12.11.2021 Daniel Zinic		Benennung: Accessories Adapter / Anschlüsse
GIEBEL FilTec GmbH www.giebel-adsorber.de info@giebel-adsorber.de		Artikelnummer: Status freigegeben Maßstab 1:1		Format A3 Blatt / von 1 / 1
Rev	Änderung	Datum	Name	Identnummer: Schutzvermerk ISO 16016 beachten