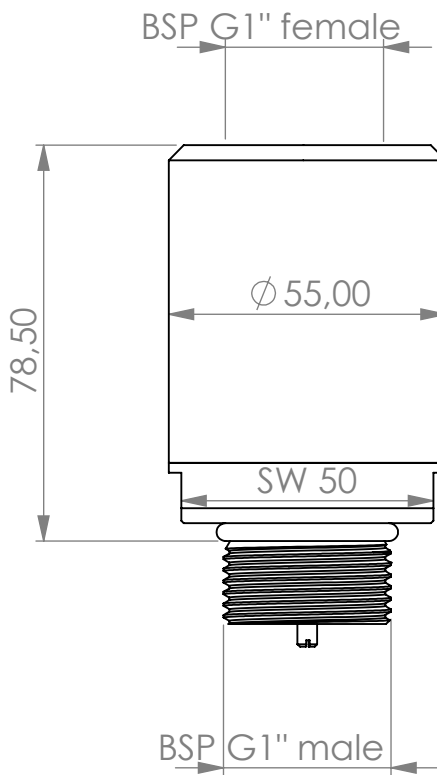
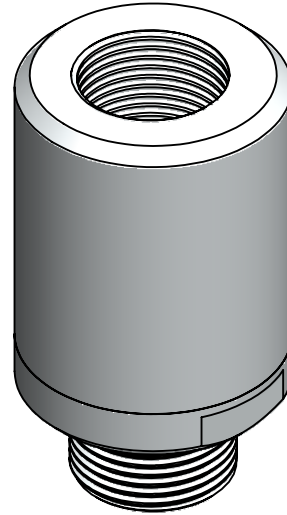


VALVE ADAPTER 0,5bar



**Öffnungsrichtungen /
Opening directions**

drucklos / pressureless (0,01bar)
(für Belüftungstrocknung /
for aeration drying)

Öffnungsdruck / opening pressure (0,5bar)
(für Tanks mit Tankvorspannung /
for tanks under pressure)

Product Code	VAD	-	05	-	AL	-	F	-	G1i	-	G1a
	Valve Adapter		Opening pressure 0,5bar OUT (0,01bar IN)		Aluminium material		FKM seals		Connection for Adsorber BSP G1" female		Connection for System BSP G1" male

Weight / Gewicht (kg): 0.34

NAME:

Valve Adapter

VAD-05_AL_F_G1i_G1a

Article no.:

03.0003.02

Status
freigabe

Maßstab

Format
A4

Blatt / von

1:1.5

1 / 1

	Date	Name
rev.	10.03.2020	Daniel Zinic

GIEBEL FilTec GmbH
www.giebel-adsorber.de
info@giebel-adsorber.de



GIEBEL Adsorber®
...setting standards in aeration drying!