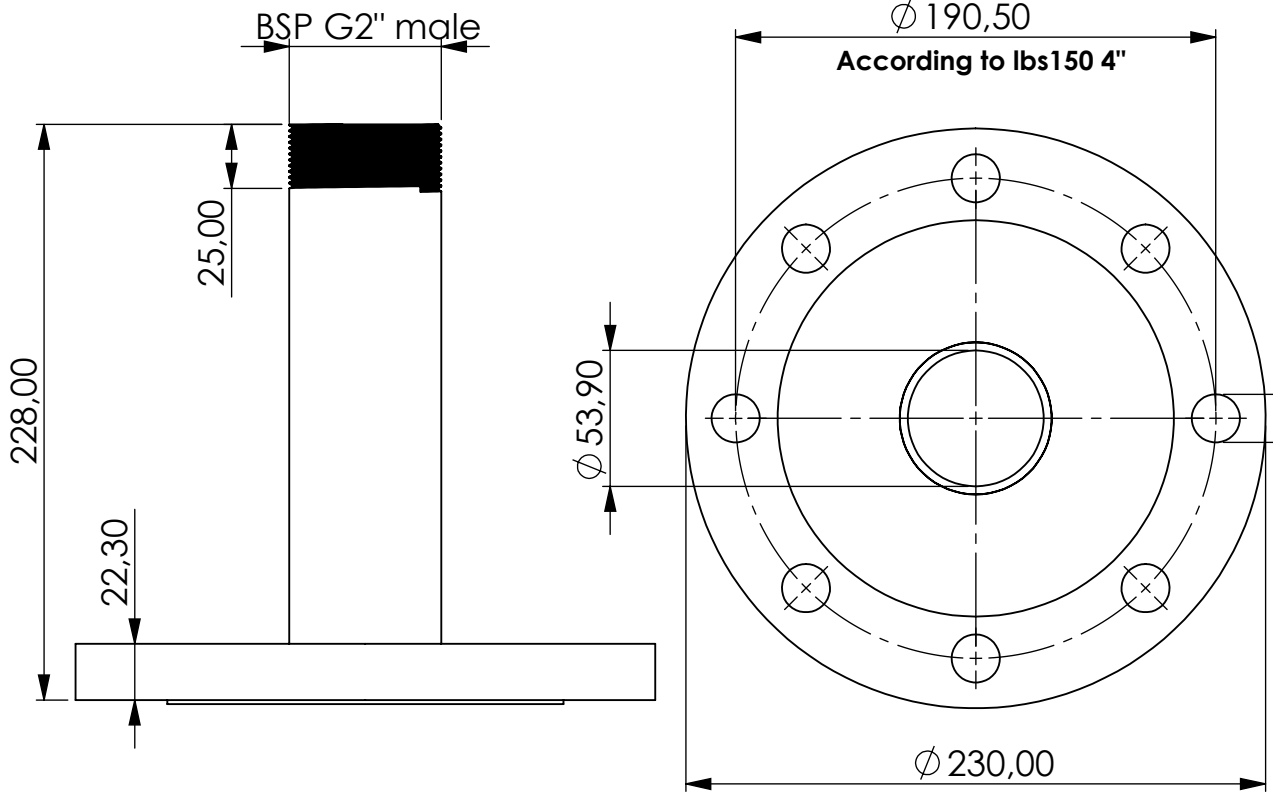
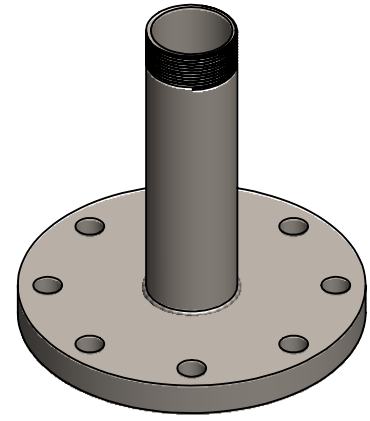


# Ventilation System EBS

accessory



| Product Code | EBS                    | - | FBG             | - | SS                            | - | lbs150                   | - | Flange size | - | G2a                             |
|--------------|------------------------|---|-----------------|---|-------------------------------|---|--------------------------|---|-------------|---|---------------------------------|
|              | Ventilation System EBS |   | Flange assembly |   | Material stainless steel 316L |   | According to ANSI lbs150 |   | 4"          |   | Connection for EBS BSP G2" male |

Total weight (kg): 7.739

NAME:

**Ventilation System EBS accessory**  
EBS-FBG\_SS\_lbs150\_4\_G2a

Article no.:  
**08.2358.02**

Status approved

Format A4

Ratio 1:3

Sheet / of 1 / 1

| rev. | Date       | Name         |
|------|------------|--------------|
|      | 26.01.2021 | Daniel Zinic |

GIEBEL FilTec GmbH  
www.giebel-adsorber.de  
info@giebel-adsorber.de



**GIEBEL Adsorber®**  
...setting standards in aeration drying!