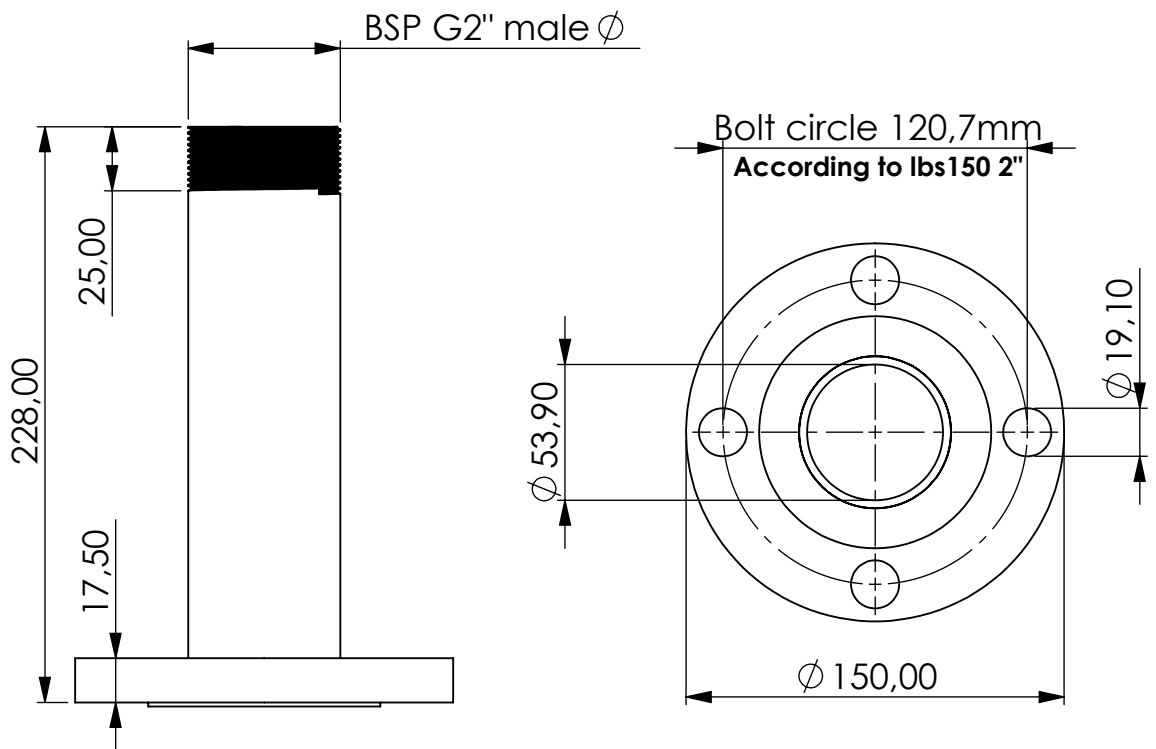
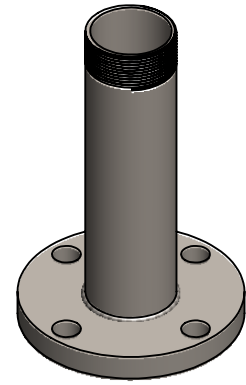


# Ventilation System EBS

accessory



Product Code	<b>EBS</b>	-	<b>FBG</b>	-	<b>SS</b>	-	<b>lbs150</b>	-	<b>Flange size</b>	-	<b>G2a</b>
	Ventilation System EBS		Flange assembly		Material stainless steel 316L		According to ANSI lbs150		2"		Connection for EBS BSP G2" male

Total weight (kg): 2.971

NAME:

**Ventilation System EBS accessory**  
EBS-FBG\_SS\_lbs150\_2\_G2a

Article no.:  
**08.2358.00**

Status approved

Format A4

Ratio 1:3

Sheet / of 1 / 1



**GIEBEL Adsorber®**  
...setting standards in aeration drying!

GIEBEL FilTec GmbH  
www.giebel-adsorber.de  
info@giebel-adsorber.de