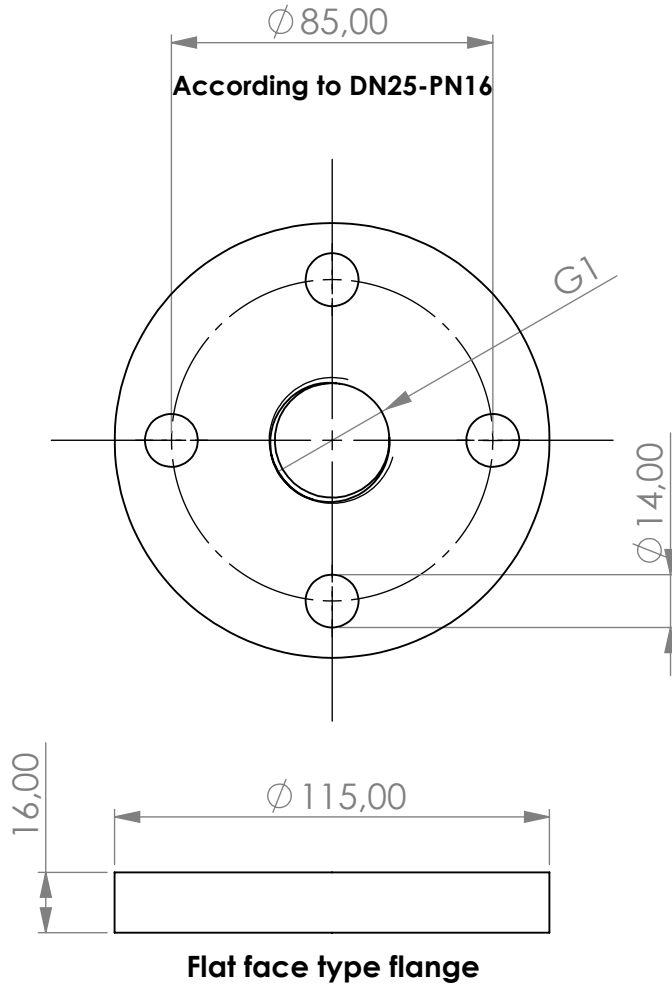
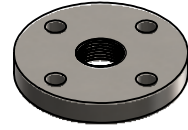


# Flange Adapter



Product Code	<b>FLA</b>	-	<b>DN25</b>	-	<b>SS</b>	-	<b>G1i</b>
	Flange Adapter		DN25 flange		Material stainless steel 316L		Connection for Adsorber BSP G1" female

Total weight (kg): 1.15

NAME:

**Flange Adapter**  
**FLA-DN25\_SS\_G1i**

Article no.:  
**08.2291.02**

Status approved

Format A4

Ratio 1:2

Sheet / of 1 / 1

	Date	Name
rev.	03.05.2022	Daniel Zinic
GIEBEL FilTec GmbH www.giebel-adsorber.de info@giebel-adsorber.de		