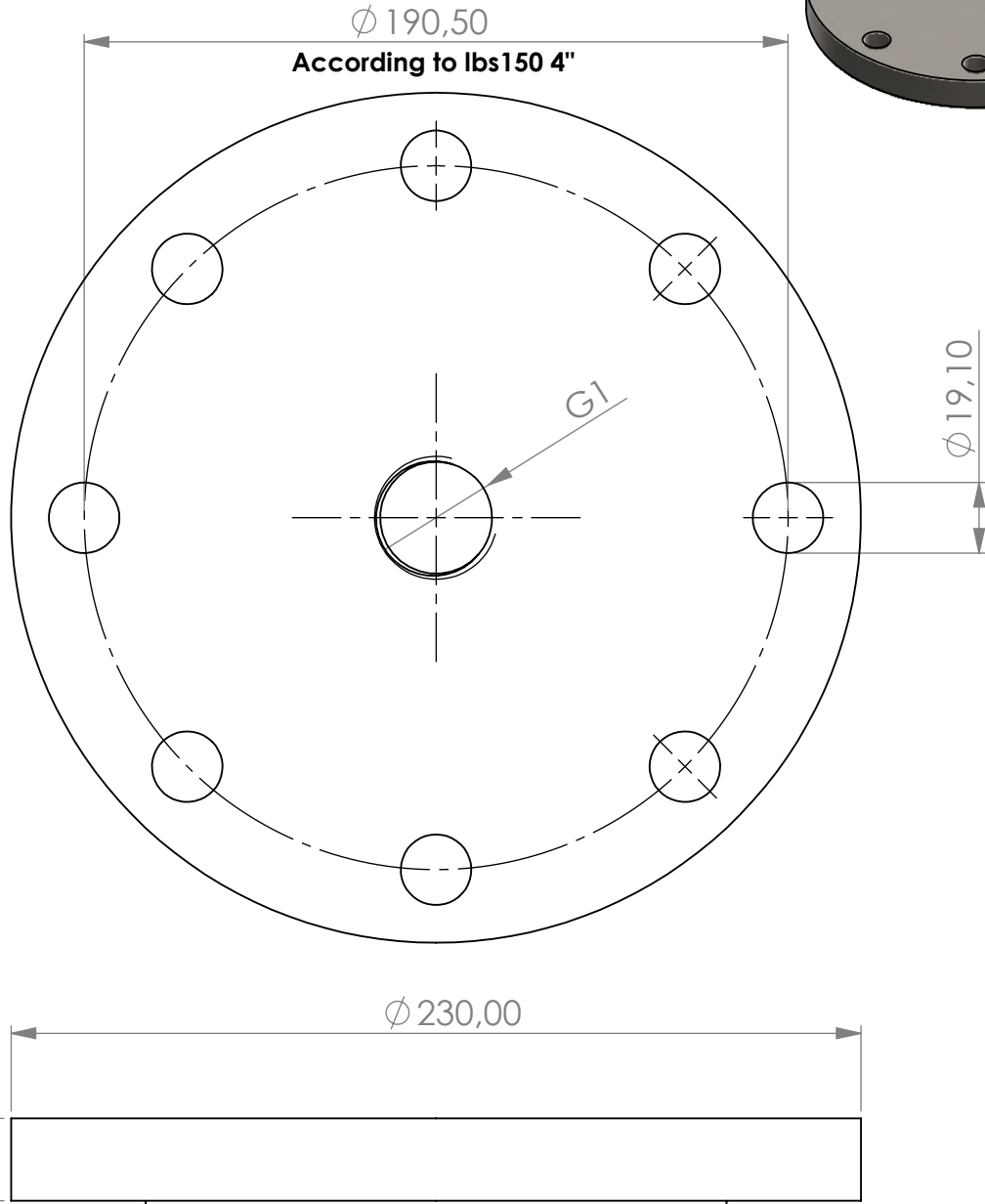
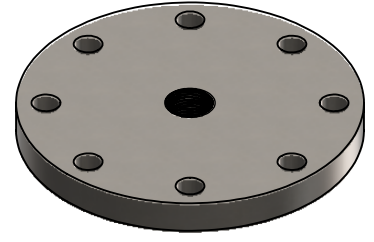


Flange Adapter



22,30

Flat face type flange

Product Code	FLA	-	lbs150-4	-	SS	-	G1i
	Flange Adapter		ANSI lbs150 4" flange		Material stainless steel 316L		Connection for Adsorber BSP G1" female

Total weight (kg): 7.11

NAME:

Flange Adapter
FLA-lbs150-4_SS_G1i

Article no.:
08.2191.10

Status approved	Format A4
Ratio 1:2	Sheet / of 1 / 1

	Date	Name
rev.	03.05.2022	Daniel Zinic
GIEBEL FilTec GmbH		
www.giebel-adsorber.de		
info@giebel-adsorber.de		