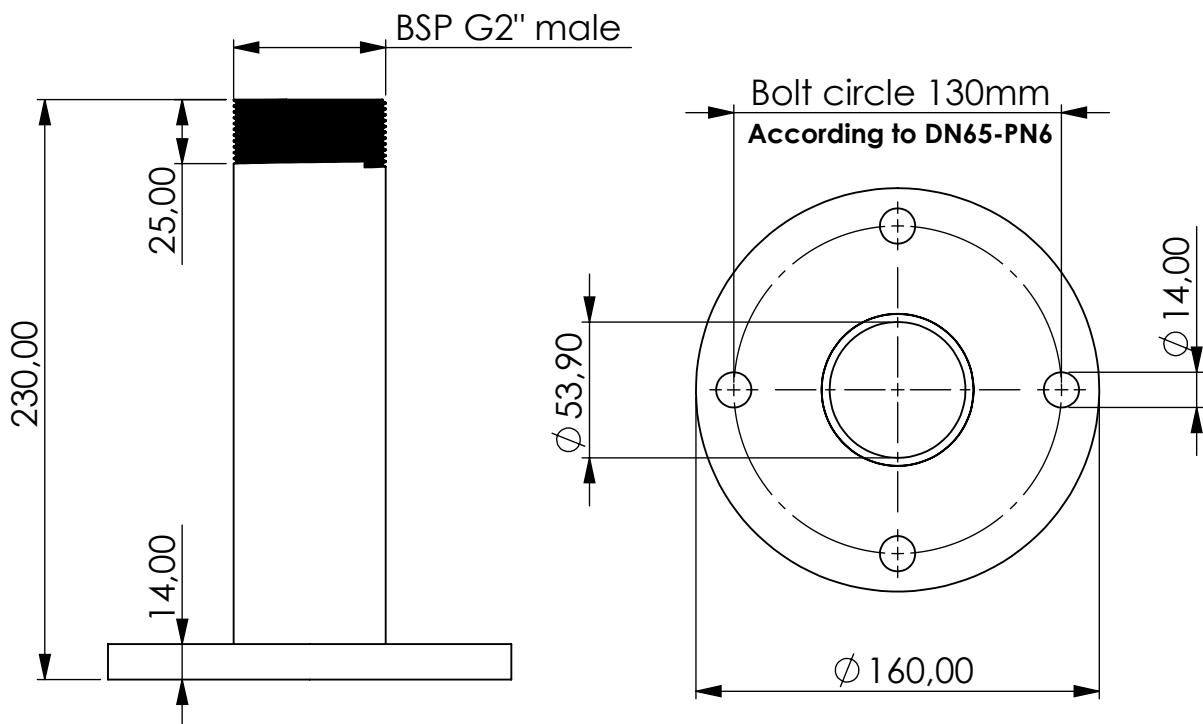
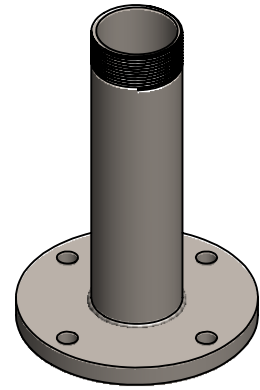


Ventilation System EBS

accessory



Product Code	EBS	-	FBG	-	SS	-	DN65	-	PN6	-	G2a
	Ventilation System EBS		Flange assembly		Material stainless steel 316L		DN65 flange		PN6 pressure rating		Connection for EBS BSP G2" male

Total weight (kg): 2.896

NAME:

Ventilation System EBS accessory
EBS-FBG_SS_DN65_PN6_G2a

Article no.:
08.2349.11

Status approved

Format A4

Ratio 1:3

Sheet / of 1 / 1



GIEBEL Adsorber®
...setting standards in aeration drying!

GIEBEL FilTec GmbH
www.giebel-adsorber.de
info@giebel-adsorber.de