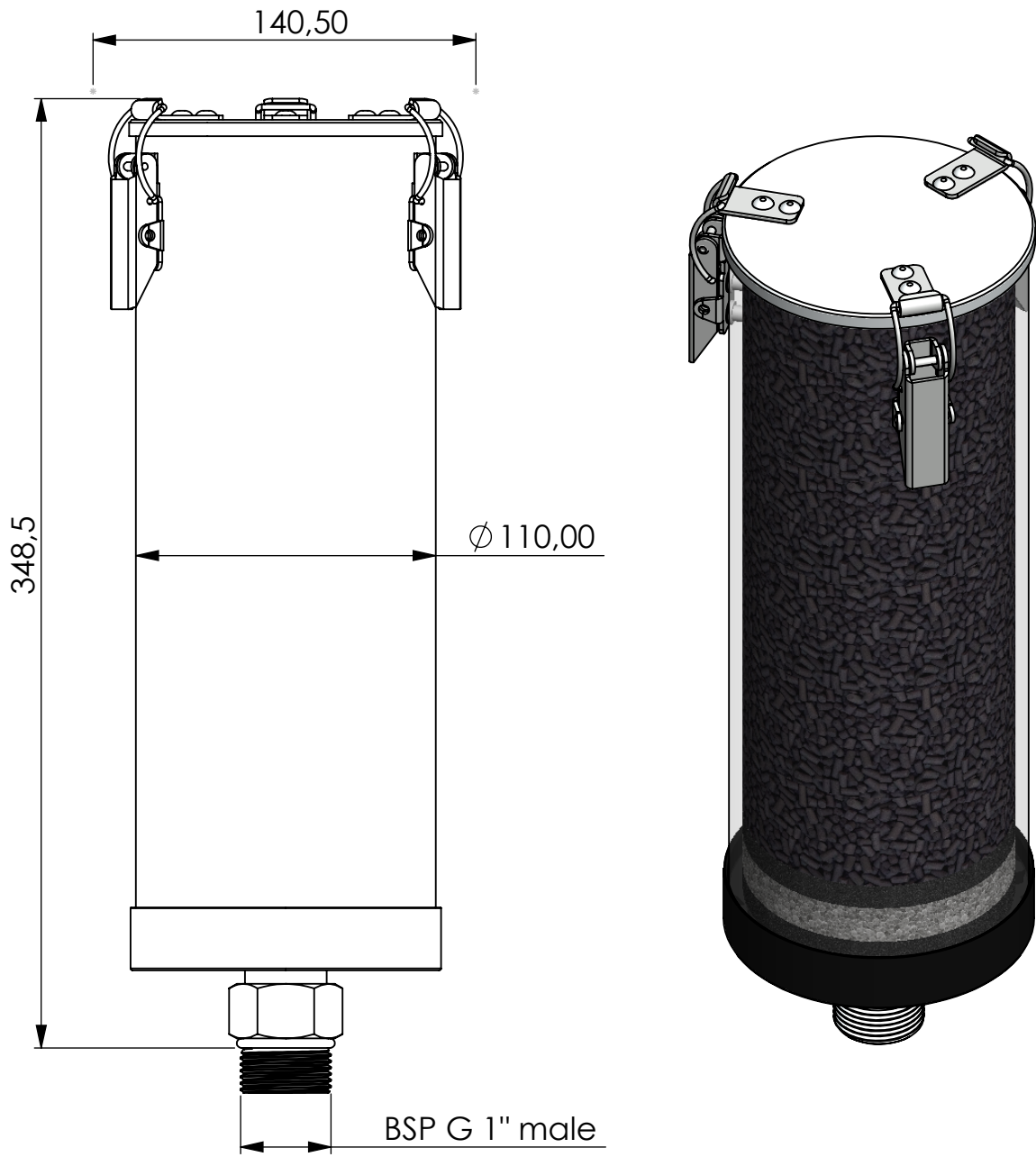


Adsorber VG-R series



Product Code	VG	-	R	-	3L	-	F	-	00	-	G3	-	A	-	G1a
	Adsorber type		Refillable cartridge		Size		FKM seals		No valves 0 IN 0 OUT		glass fiber filter 3 micron		Adsorbent active carbon		Connection for System BSP G1" male

Housing materials: PA6, PC, AL

Active carbon (kg): 0,9

Total weight (kg): 2.26

NAME:

Adsorber VG-R 3L G1"m
VG-R_3L_F_00_G3_A_G1a

Article no.:
05.0040.30

Status approved

Format A4

Ratio 1:2.5

Sheet / of 1 / 1

	Date	Name
rev.	26.03.2020	Daniel Zinic

GIEBEL FilTec GmbH
www.giebel-adsorber.de
info@giebel-adsorber.de



GIEBEL Adsorber®
...setting standards in aeration drying!