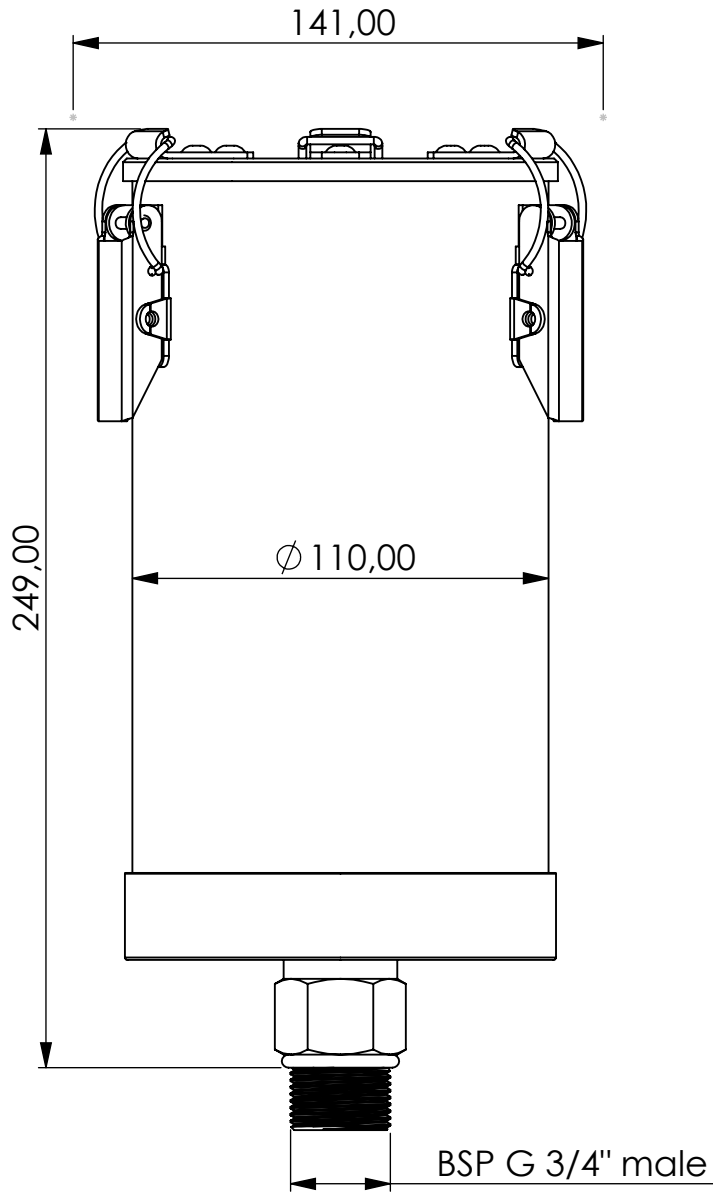


Adsorber VG-R series



Product Code	VG	-	R	-	3M	-	F	-	00	-	G3	-	A	-	G34a
	Adsorber type		Refillable cartridge		Size		FKM seals		No valves 0 IN 0 OUT		glass fiber filter 3 micron		Adsorbent active carbon		Connection for System BSP G3/4" male

Housing materials: PA6, PC, AL

Active carbon (kg): 0,5

Total weight (kg): 1.62

NAME:

Adsorber VG-R 3M G3/4"m
VG-R_3M_F_00_G3_A_G34a

Article no.:
05.0040.27

Status approved

Format A4

Ratio 1:2

Sheet / of 1 / 1

	Date	Name
rev.	09.04.2020	Daniel Zinic

GIEBEL FilTec GmbH
www.giebel-adsorber.de
info@giebel-adsorber.de



GIEBEL Adsorber®
...setting standards in aeration drying!