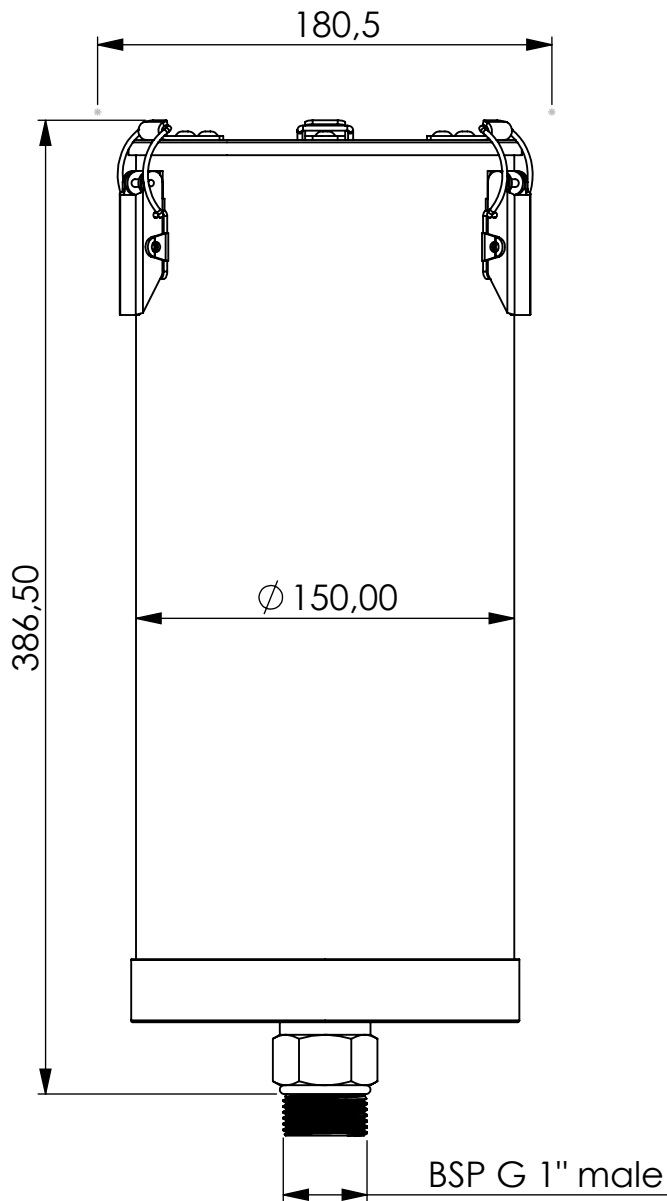


Adsorber VG-R series



Product Code	VG	-	R	-	5L	-	F	-	00	-	G3	-	A	-	G1a
	Adsorber type		Refillable cartridge		Size		FKM seals		No valves 0 IN 0 OUT		glass fiber filter 3 micron		Adsorbent active carbon		Connection for System BSP G1" male

Housing materials: PA6, PC, AL

Active carbon (kg): 2,2

Total weight (kg): 4.17

NAME:

Adsorber VG-R 5L G1"m
VG-R_5L_F_00_G3_A_G1a

Article no.:
05.0040.33

Status
approved

Format
A4

Ratio
1:3

Sheet / of
1 / 1



GIEBEL Adsorber®
...setting standards in aeration drying!

GIEBEL FilTec GmbH
www.giebel-adsorber.de
info@giebel-adsorber.de