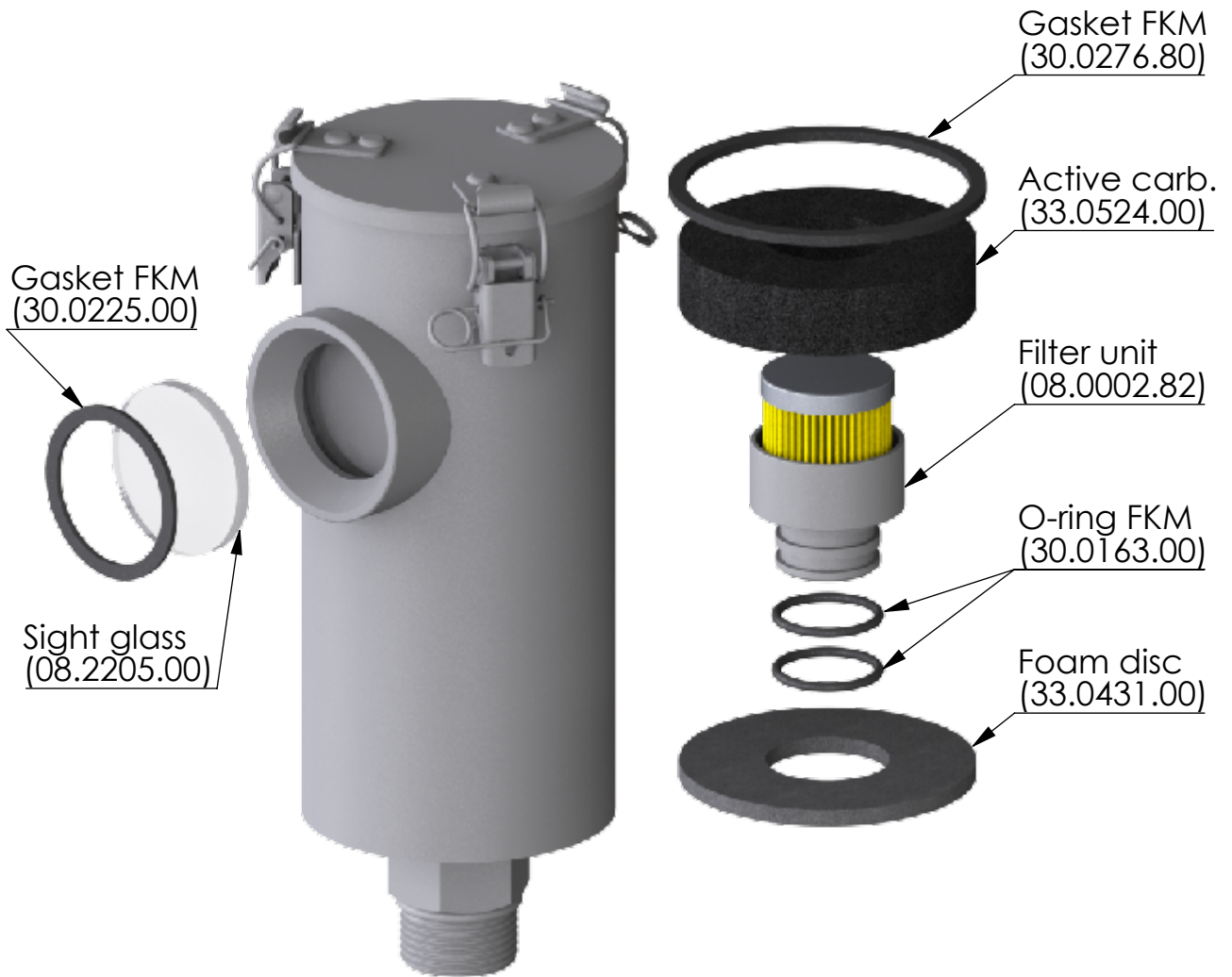


# SPARE PARTS KIT ET ME-R 2



Silicagel needed per Adsorber:  
- Adsorber ME-RV 2L: 0,6 KG



Silicagel sold separately  
(please visit our shop at  
[giebel-adsorber.com/shop](http://giebel-adsorber.com/shop))

				Date	Name	Weight (kg): 0.2
				Created	30.11.2021	daniel.zinic
				Released	18.02.2022	daniel.zinic
				GIEBEL FilTec GmbH giebel-adsorber.com info@giebel-adsorber.de		Naming: <b>Spare Parts Kit</b> ET_ME-R_2_F_P3_A
						Format A4
						Scale
						Sheet / of 1 / 1
Rev	Changes	Date	Name	Observe protection note ISO 16016		