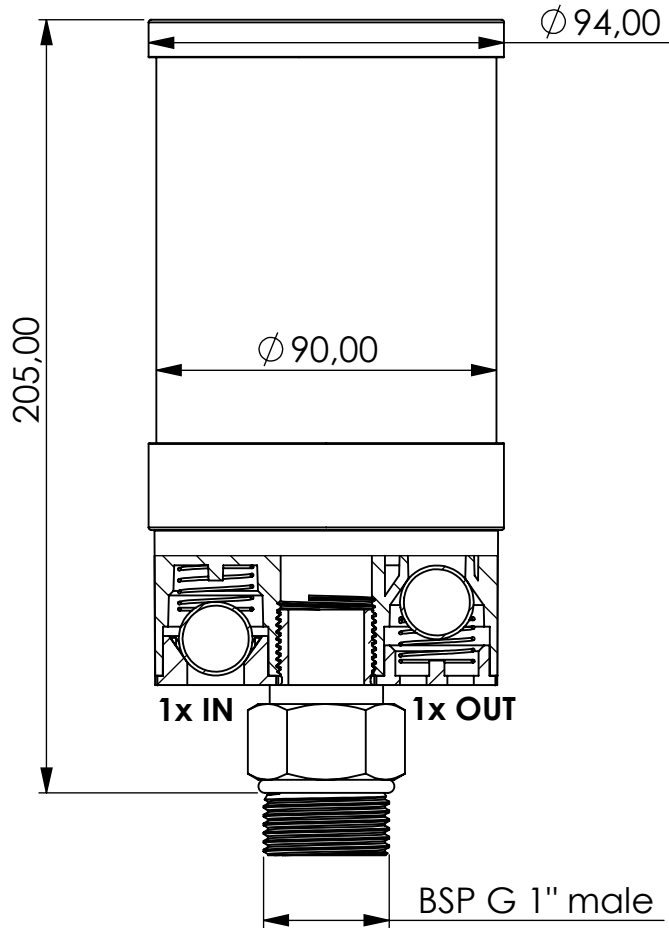


Adsorber VV-DV series



Product Code	VV	-	DV	-	2M	-	F	-	11	-	P3	-	SA	-	G1a
	Adsorber type		Disposable cartridge + valves		Size		FKM seals		Check valves 1 IN 1 OUT		Paper filter 3 micron		Adsorbent Silica Gel Active carbon		Connection for System BSP G1" male

Housing materials:	PA6, PC, AL	
Silica Gel (kg):	0,3	Max. water adsorbtion (ml): 120
Total weight (kg):	0.84	

NAME:		
Adsorber VV-DV 2M G1"m		
VV-DV_2M_F_11_P3_SA_G1a		
Article no.:	Status freigabe	Format A4
05.0020.59	Maßstab	Blatt / von
	1:2	1 / 1

 GIEBEL Adsorber® <small>...setting standards in aeration drying!</small>	Date	Name
	rev. 03.04.2020	Daniel Zinic
GIEBEL FilTec GmbH www.giebel-adsorber.de info@giebel-adsorber.de		