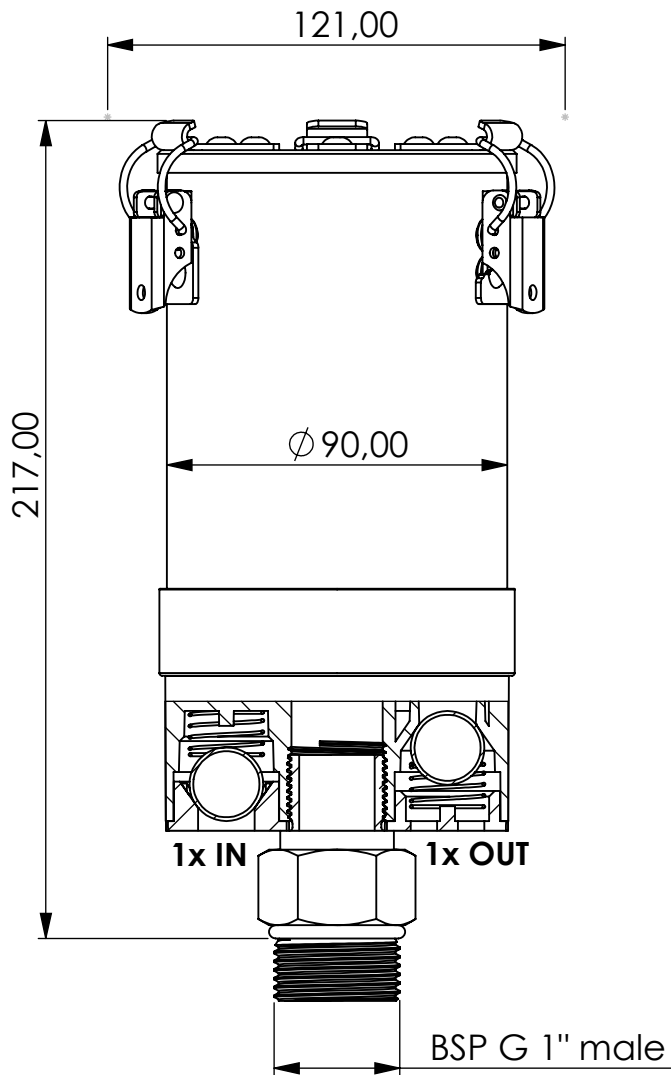


Adsorber VV-RV series



Product Code	VV	-	RV	-	2M	-	F	-	11	-	P3	-	SA	-	G1a
	Adsorber type		Refillable cartridge + valves		Size		FKM seals		Check valves 1 IN 1 OUT		Paper filter 3 micron		Adsorbent Silica Gel Active carbon		Connection for System BSP G1" male

Housing materials:	PA6, PC, AL	
Silica Gel (kg):	0,3	Max. water adsorbtion (ml): 120
Total weight (kg):	1.05	
NAME:	Adsorber VV-RV 2M G1"m VV-RV_2M_F_11_P3_SA_G1a	
Article no.:	Status freigabe	Format A4
05.0020.94	Maßstab	Blatt / von
	1:2	1 / 1

	Date	Name
rev.	07.04.2020	Daniel Zinic
GIEBEL FilTec GmbH www.giebel-adsorber.de info@giebel-adsorber.de		



GIEBEL Adsorber®
...setting standards in aeration drying!