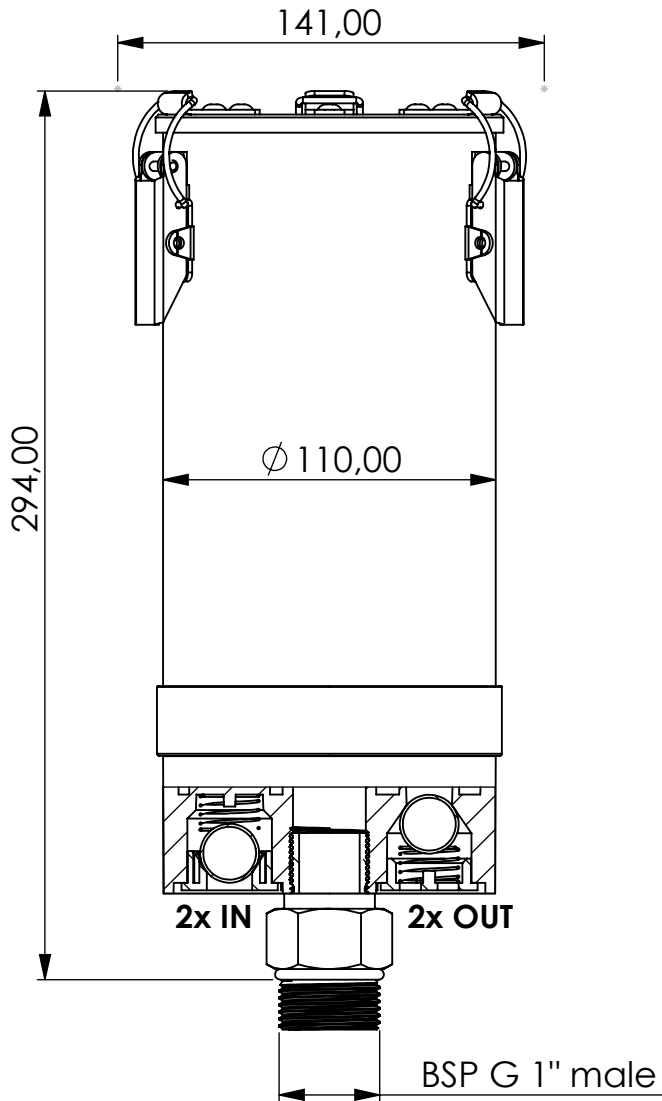


Adsorber VV-RV series



Product Code	VV	-	RV	-	3M	-	F	-	22	-	P3	-	SA	-	G1a
	Adsorber type		Refillable cartridge + valves		Size		FKM seals		Check valves 2 IN 2 OUT		Paper filter 3 micron		Adsorbent Silica Gel Active carbon		Connection for System BSP G1" male

Housing materials:		PA6, PC, AL	
Silica Gel (kg):	0,8	Max. water adsorbtion (ml):	320
Total weight (kg):		1.93	
NAME:			
Adsorber VV-RV 3M G1"m			
VV-RV_3M_F_22_P3_SA_G1a			
Article no.:		Status	Format
05.0031.15		freigabe	A4
		Maßstab	Blatt / von
		1:2,5	1 / 1

	Date	Name
rev.	07.04.2020	Daniel Zinic
 GIEBEL Adsorber® ...setting standards in aeration drying!		
GIEBEL FilTec GmbH www.giebel-adsorber.de info@giebel-adsorber.de		