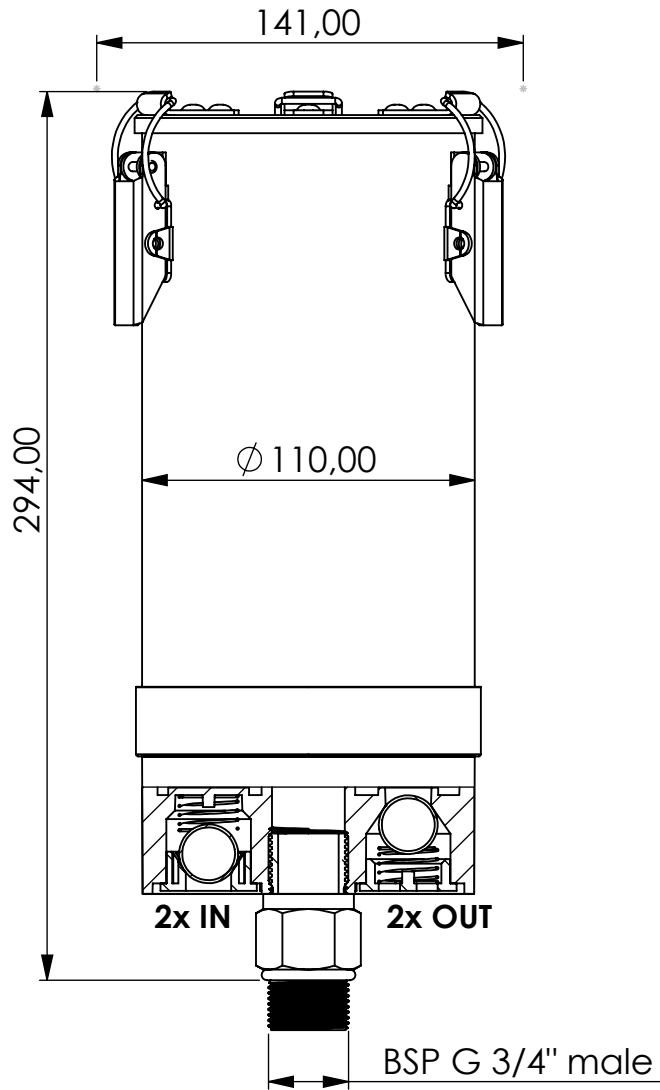


Adsorber VV-RV series



Product Code	VV	-	RV	-	3M	-	F	-	22	-	P3	-	SA	-	G34a
Adsorber type			Refillable cartridge + valves		Size		FKM seals		Check valves 2 IN 2 OUT		Paper filter 3 micron		Adsorbent Silica Gel Active carbon		Connection for System BSP G3/4\" male

Housing materials:	PA6, PC, AL	
Silica Gel (kg):	0,8	Max. water adsorbtion (ml): 320
Total weight (kg):	1.90	
NAME:	Adsorber VV-RV 3M G3/4\"m VV-RV_3M_F_22_P3_SA_G34a	
Article no.:	05.0031.16	Status freigabe
		Format A4
		Maßstab Blatt / von
	1:2.5	1 / 1

	Date	Name
rev.	21.09.2020	Daniel Zinic
 GIEBEL Adsorber® ...setting standards in aeration drying!		
GIEBEL FilTec GmbH www.giebel-adsorber.de info@giebel-adsorber.de		