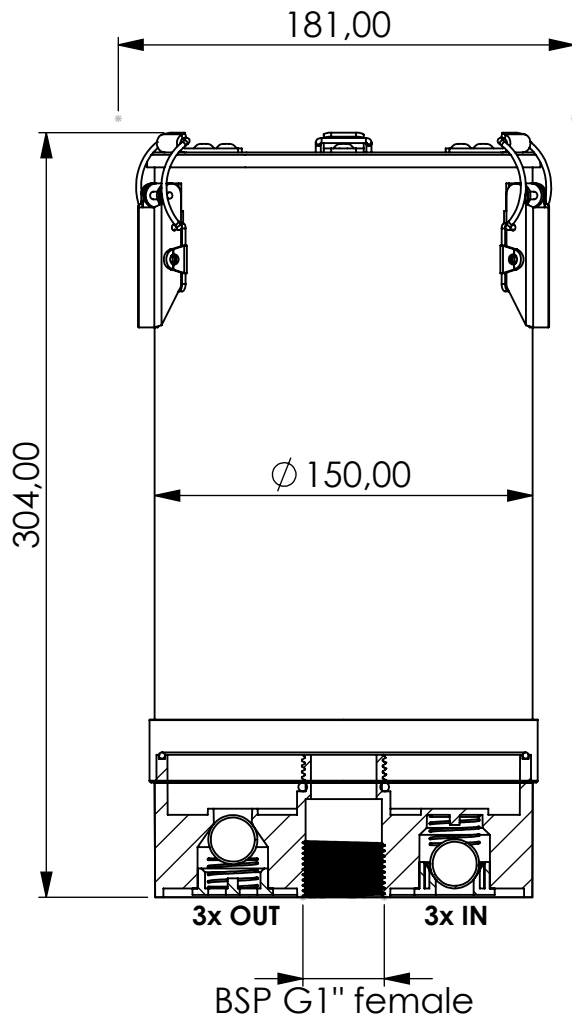


# Adsorber VV-RV series



Product Code	<b>VV</b>	-	<b>RV</b>	-	<b>5M</b>	-	<b>F</b>	-	<b>33</b>	-	<b>P3</b>	-	<b>SA</b>	-	<b>G1f</b>
	Adsorber type		Refillable cartridge + valves		Size		FKM seals		Check valves 3 IN 3 OUT		Paper filter 3 micron		Adsorbent Silica Gel Active carbon		Connection for System BSP G1" female

Housing materials:	PA6, PC, AL	
Silica Gel (kg):	2,2	Max. water adsorbtion (ml): 880
Total weight (kg):	3.83	
NAME:	<b>Adsorber VV-RV 5M G1"f</b>	
	VV-RV_5M_F_33_P3_SA_G1f	
Article no.:	<b>05.0060.43</b>	Status freigabe
		Format A4
		Maßstab Blatt / von
	1:3	1 / 1

	Date	Name
rev.	19.11.2021	Daniel Zinic
GIEBEL FilTec GmbH		
www.giebel-adsorber.de		
info@giebel-adsorber.de		



**GIEBEL Adsorber®**  
...setting standards in aeration drying!