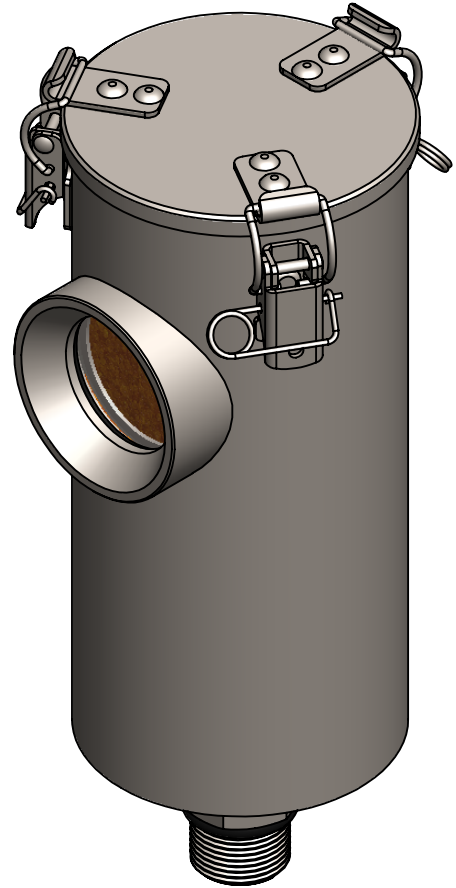
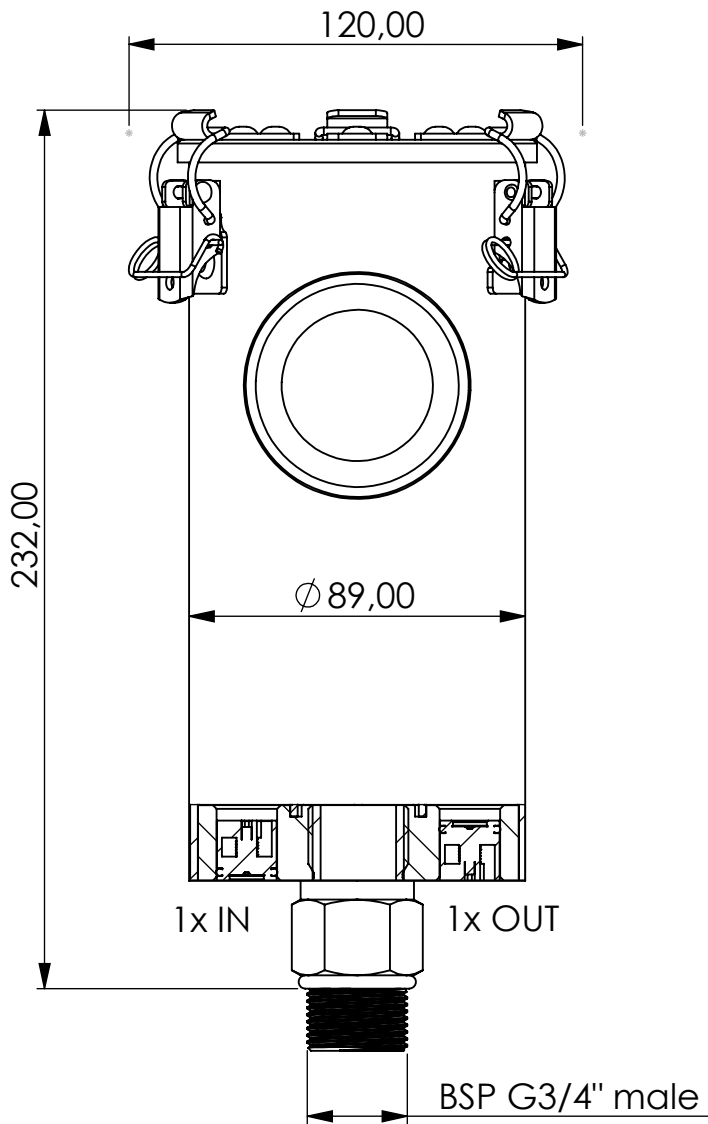


Adsorber ME-RV series



Product Code	ME	-	RV	-	2L	-	F	-	11	-	P3	-	SA	-	G34a
	Adsorber type		Refillable cartridge + valves		Size		FKM seals		Check valves 1 IN 1 OUT		Paper filter 3 micron		Adsorbent Silica Gel Active carbon		Connection for System BSP G3/4" male

Housing materials:	Stainless steel 316L	
Silica Gel (kg):	0,6	Max. water adsorbtion (ml): 240
Total weight (kg):	3.12	

NAME:		
Adsorber ME-RV 2L G3/4"m		
ME-RV_2L_F_11_P3_SA_G34a		
Article no.:	Status freigabe	Format A4
07.0001.70	Maßstab	Blatt / von
	1:2	1 / 1

 GIEBEL Adsorber® ...setting standards in aeration drying!	Date	Name
	rev. 05.10.2020	Daniel Zinic
GIEBEL FilTec GmbH www.giebel-adsorber.de info@giebel-adsorber.de		