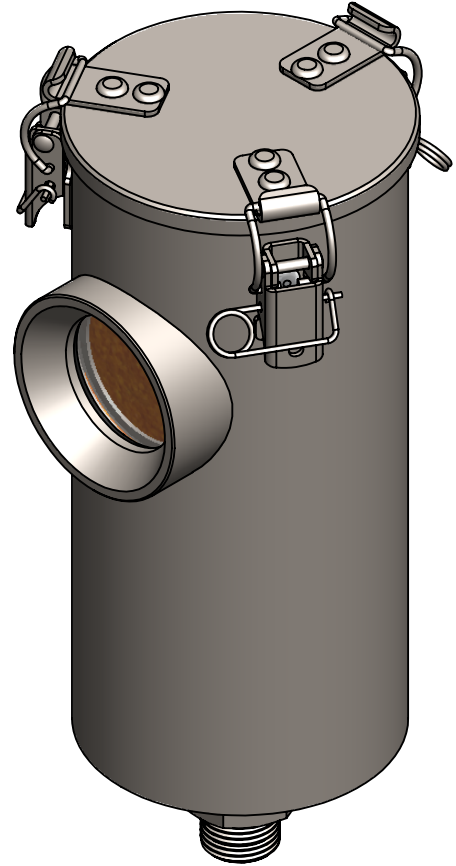
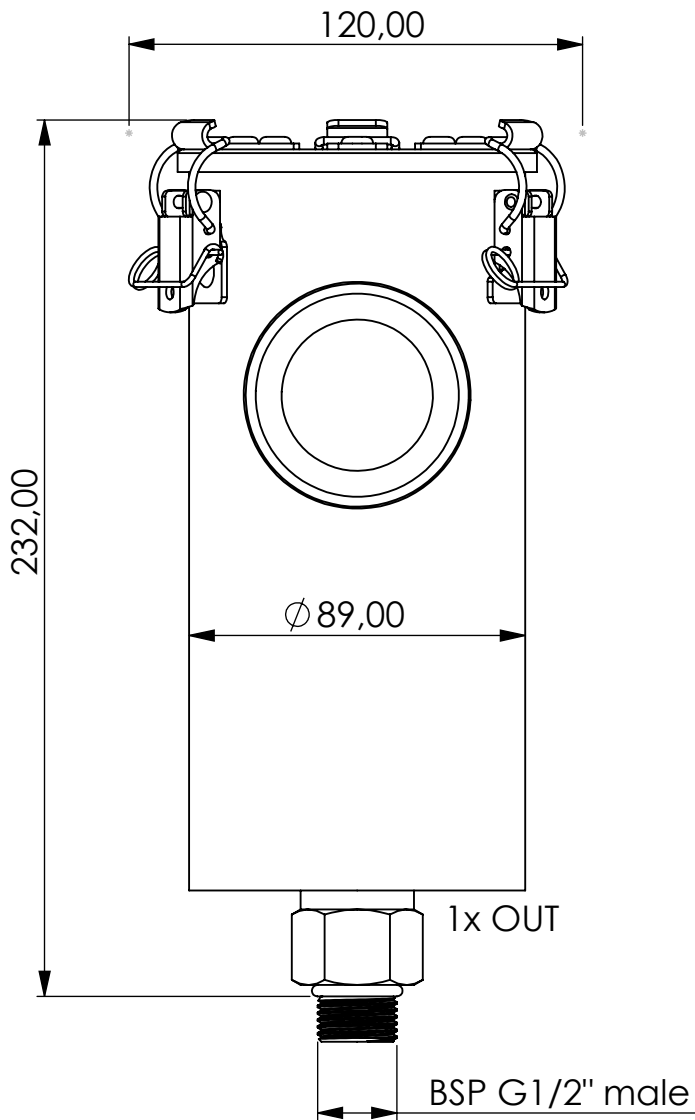


Adsorber ME-RV series



Product Code	ME	-	RV	-	2L	-	F	-	11	-	P3	-	SA	-	G12a
	Adsorber type		Refillable cartridge + valves		Size		FKM seals		Check valves 1 IN 1 OUT		Paper filter 3 micron		Adsorbent Silica Gel Active carbon		Connection for System BSP G1/2" male

Housing materials:	Stainless steel 316L	
Silica Gel (kg):	0,6	Max. water adsorbtion (ml): 240
Total weight (kg):	3.15	

NAME:		
Adsorber ME-RV 2L G1/2"m		
ME-RV_2L_F_11_P3_SA_G12a		
Article no.:	Status approved	Format A4
07.0001.72	Ratio 1:2	Sheet / of 1 / 1

	Date	Name
rev.	21.05.2021	Daniel Zinic



GIEBEL Adsorber®
...setting standards in aeration drying!

GIEBEL FilTec GmbH
www.giebel-adsorber.de
info@giebel-adsorber.de