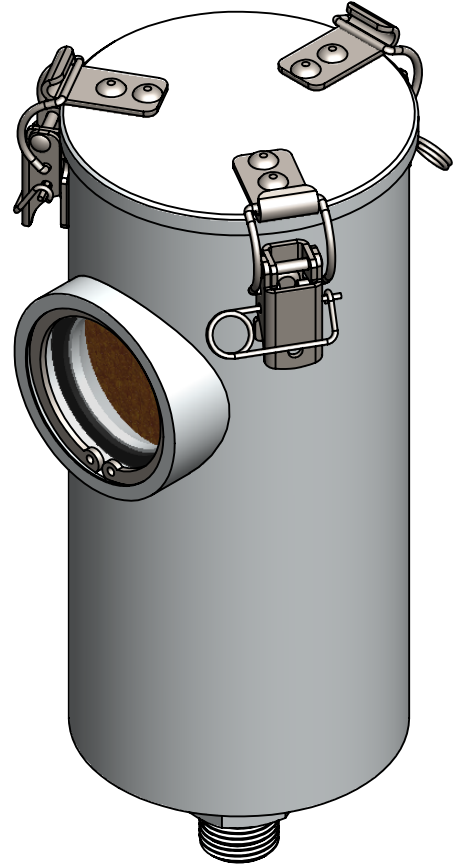
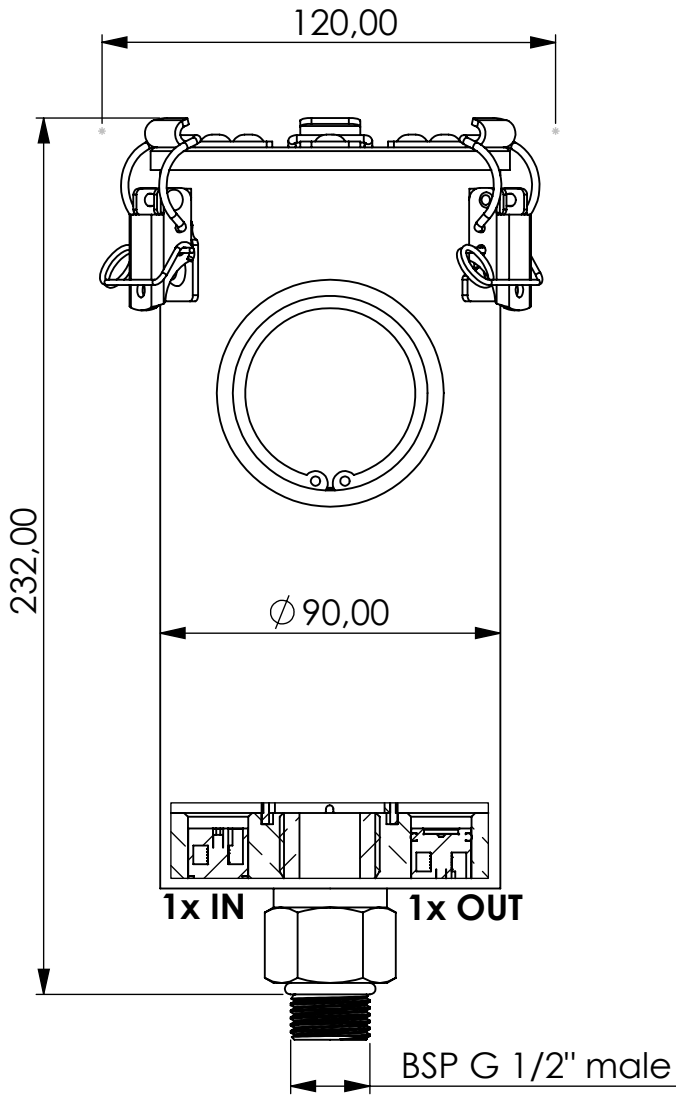


Adsorber MA-RV series



Product Code	MA	-	RV	-	2L	-	F	-	11	-	P3	-	SA	-	G12a
	Adsorber type		Refillable cartridge + valves		Size		FKM seals		Check valves 1 IN 1 OUT		Paper filter 3 micron		Adsorbent Silica Gel Active carbon		Connection for System BSP G1/2" male

Housing materials:	Aluminium	
Silica Gel (kg):	0,6	Max. water adsorbtion (ml): 240
Total weight (kg):	1.67	

NAME:		
Adsorber MA-RV 2L G1/2"m		
MA-RV_2L_F_11_P3_SA_G12a		
Article no.:	Status freigabe	Format A4
05.0030.30	Maßstab	Blatt / von
	1:2	1 / 1

 GIEBEL Adsorber® ...setting standards in aeration drying!	Date	Name
	rev. 26.10.2020	Daniel Zinic
GIEBEL FilTec GmbH www.giebel-adsorber.de info@giebel-adsorber.de		